



Acti 9K

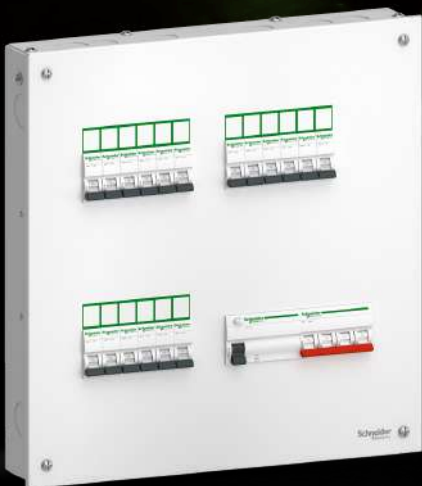
Distribution boards,
MCB, RCCB, and Isolator



schneider-electric.co.in

Life Is On

Schneider
Electric



Schneider Electric - The global specialist in energy management and automation brings 180 years of experience to India with more than 160,000 people in over a 100 countries



<p>We reduce energy consumed and create reliable, efficient and sustainable industrial ecosystems.</p>	<p>We reduce cost per kWh and create significant energy cost savings for your home, office, industry with our energy efficient products and solutions.</p>	<p>We reduce CO₂ footprints and create great environment in which we live, work, and play.</p>	<p>We reduce operating expenditures by at least 30% in an industrial world where energy is one of the top five largest operating budget line items.</p>	<p>We realise measurable efficiency and deliver solutions that integrate seamlessly into our environment.</p>	<p>We produce energy locally across the grid allowing India to reshape industries, transform cities, and enrich lives.</p>
--	--	---	---	---	--

Our vision is to help customers achieve more with less resources in an increasingly connected, distributed, and smart world

Schneider Electric India footprint - A top 3 energy management company in India

<p>Employee strength</p>	<p>19,500+ People</p>	<p>Industrial footprint</p>	<p>28 Factories</p>
<p>R&D focus</p>	<p>1,300+ R&D staff (based in India)</p>	<p>Channel strength</p>	<p>61,000+ Point of sales 130+ Cities and towns</p>

Unique Design Features

□ Complete and protective system

Assurance of Schneider Electric brand quality and technology promise. Conforming to international standards: Tested for IEC 61439 at NABL accredited laboratories. IP tested at CPRI.

□ Comprehensive offer

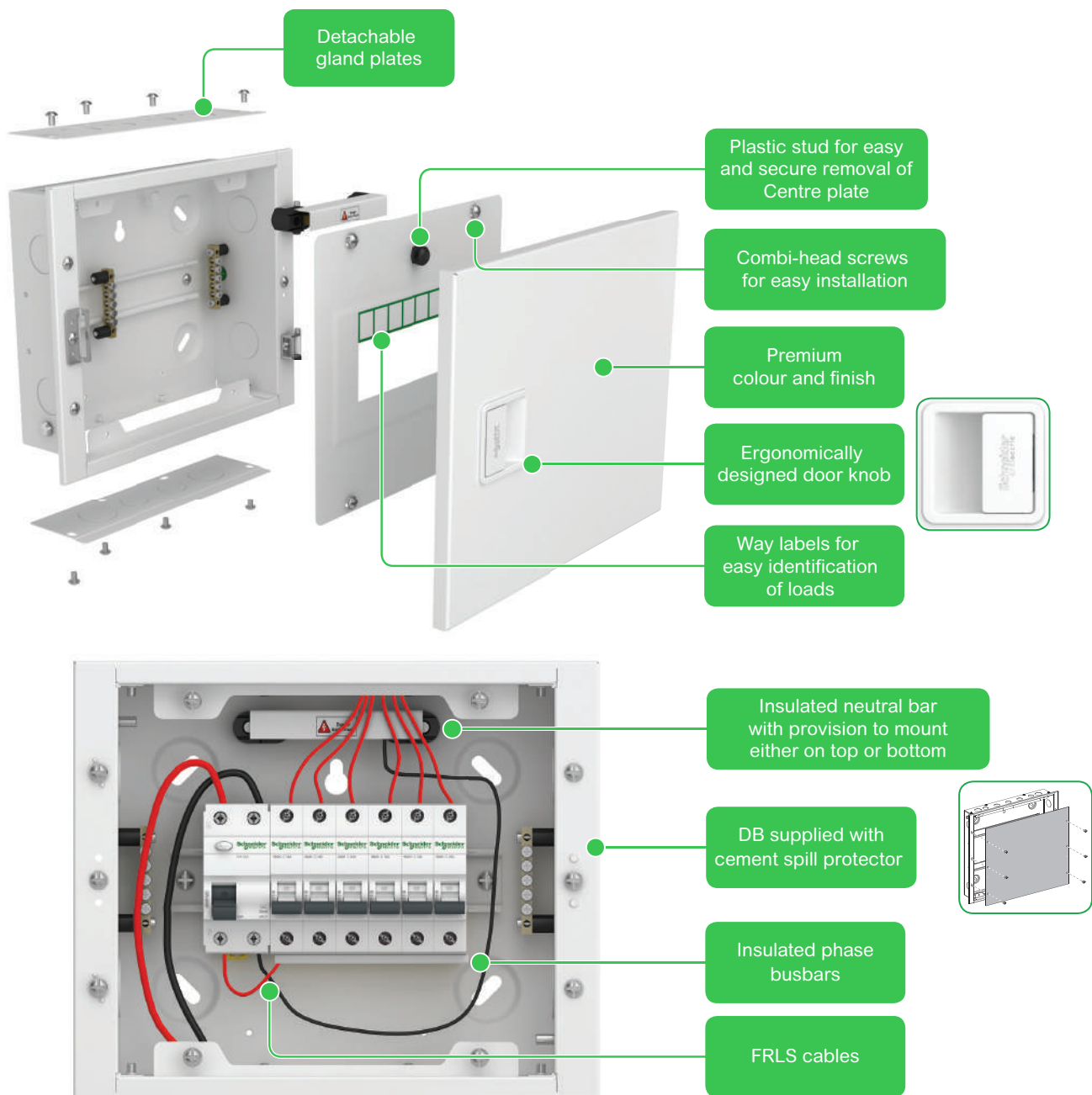
Acti 9K range of products helps to ensure overload, short circuit, and earth-leakage protection along with the dedicated enclosures.

□ Ergonomically designed door knob

The new design of door knob helps to ensure smooth and comfortable operation.

□ Flawless installation

Features like CSP, plastering guide, reversible door, and detachable gland plates helps to ensure ease of installation.



Distribution Boards

SPN DBs

- SPN DB for distribution of single phase neutral supply to respective load of MCBs
- Number of ways ranging from 4 to 16 (including in-comer)
- Current rating - up to 63 A
- Voltage rating - 240 V
- Frequency - 50 Hz
- IP-43 for DD and IP-30 for SD DBs
- IK-08
- Short circuit breaking capacity - up to 10 kA
- In-comer - DP RCCB/Isolator/MCB
- Outgoing - SP MCBs

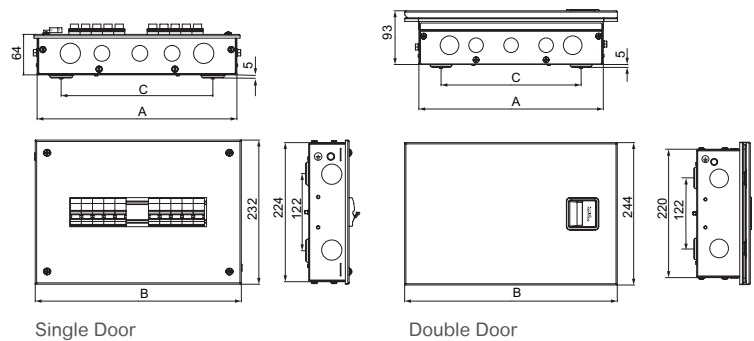
IEC 61439



Distribution Boards

Catalogue numbers	Description	A	B	C
A9KESNS04	A9K DB 4 way SPN SD	172	182	96
A9KESNS06	A9K DB 6 way SPN SD	208	218	132
A9KESNS08	A9K DB 8 way SPN SD	244	254	168
A9KESNS12	A9K DB 12 way SPN SD	316	326	240
A9KESND04	A9K DB 4 way SPN DD	172	221	96
A9KESND06	A9K DB 6 way SPN DD	208	257	132
A9KESND08	A9K DB 8 way SPN DD	244	293	168
A9KESND12	A9K DB 12 way SPN DD	316	365	240
A9KESND16	A9K DB 16 way SPN DD	388	437	292

Dimensions (mm)



Single Door

Double Door

TPN DBs

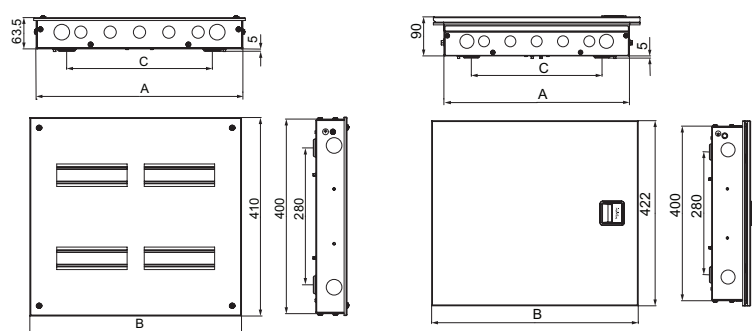
- Standard TPN DBs for distribution of three phase and neutral supply
- Number of ways ranging from 4 to 12
- Current Rating - up to 63 A
- Voltage rating - 415 V
- Frequency - 50 Hz
- IP-43 for DD and IP-30 for SD DBs
- IK-08
- Short circuit breaking capacity - up to 10 kA
- In-comer - FP RCCB/Isolator/MCB
- Outgoing - SP MCBs



Distribution Boards

Catalogue numbers	Description	A	B	C
A9KETNS04	A9K DB 4 way TPN SD	351	361	226
A9KETNS06	A9K DB 6 way TPN SD	387	397	262
A9KETNS08	A9K DB 8 way TPN SD	423	433	298
A9KETND04E	A9K DB TPN 4 way DD 4-mod I/C	279	328	154
A9KETND04	A9K DB TPN 4 way DD	351	400	226
A9KETND06	A9K DB TPN 6 way DD	387	435	262
A9KETND08	A9K DB TPN 8 way DD	423	471	298
A9KETND12	A9K DB TPN 12 way DD	577	625	452

Dimensions (mm)



Single Door

Double Door

Miniature Circuit Breakers



Green
Premium™
Product



IS/IEC 60898-1 IEC/EN 60898-1

- K60H Biconnect circuit breakers are circuit breakers which combine the following functions:
 - Circuit protection against short circuit currents
 - Circuit protection against overload currents
 - Disconnection, opening, and closing

K60H Biconnect Miniature Circuit Breaker 50 Hz

Breaking capacity in short circuit (Icn) as per IEC/EN 60898-1		Service breaking capacity (Ics)
Ph/Ph	415 V	75 % of Icn
Ph/N	240 V	

Rating (In) 1 to 63 A 10000 A

Catalogue numbers

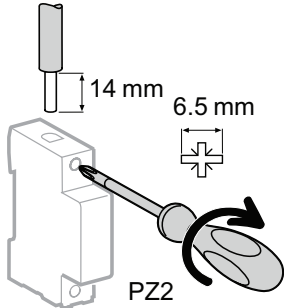
K60H Biconnect Miniature Circuit Breaker								
Type	1P		2P		3P		4P	
Auxiliaries	Without auxiliaries							
Rating (In)	Curve		Curve		Curve		Curve	
	B	C	B	C	C	C	C	C
1 A	-	A9KF71101	-	A9KF71201	A9KF71301	A9KF71401		
2 A	-	A9KF71102	-	A9KF71202	A9KF71302	A9KF71402		
3 A	-	A9KF71103	-	A9KF71203	A9KF71303	A9KF71403		
4 A	-	A9KF71104	-	A9KF71204	A9KF71304	A9KF71404		
6 A	A9KF21106	A9KF71106	A9KF21206	A9KF71206	A9KF71306	A9KF71406		
10 A	A9KF21110	A9KF71110	A9KF21210	A9KF71210	A9KF71310	A9KF71410		
16 A	A9KF21116	A9KF71116	A9KF21216	A9KF71216	A9KF71316	A9KF71416		
20 A	A9KF21120	A9KF71120	A9KF21220	A9KF71220	A9KF71320	A9KF71420		
25 A	A9KF21125	A9KF71125	A9KF21225	A9KF71225	A9KF71325	A9KF71425		
32 A	A9KF21132	A9KF71132	A9KF21232	A9KF71232	A9KF71332	A9KF71432		
40 A	-	A9KF71140	-	A9KF71240	A9KF71340	A9KF71440		
50 A	-	A9KF71150	-	A9KF71250	A9KF71350	A9KF71450		
63 A	-	A9KF71163	-	A9KF71263	A9KF71363	A9KF71463		
Width in 18 mm modules	1		2		3		4	
Accessories	Padlocking device cat. no. 26970							

Ordering Information:

Add suffix <BQ> to the Product Reference to get the corresponding Ordering Code
Contact Schneider Electric Sales Representative or Customer Care Centre to get information on prices and standard pack sizes

Miniature Circuit Breakers

Connection

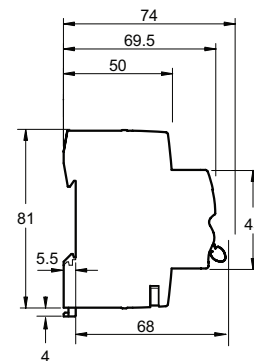
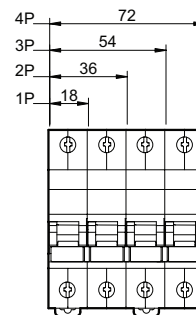


Type	Rating	Tightening torque	Copper cables	
			Rigid	Flexible or with ferrule
K60H Biconnect	1 to 32 A	2 N.m	1 to 25 mm ²	1 to 16 mm ²
	40 to 63 A	3.5 N.m	1 to 35 mm ²	1 to 25 mm ²

Technical data

Main characteristics		
Insulation voltage (Ui)	Phase-to-phase	500 V AC
	Phase-to-neutral	240 V AC
Voltage rating (Ue)	Phase-to-phase	415 V AC
	Phase-to-phase	415 V AC
Operating Frequency		50 Hz
Rated impulse withstand voltage (Uimp)		4 kV
Magnetic tripping	B curve	3 to 5 In ■
	C curve	5 to 10 In ■
According to EN 60898-1		
Limitation class		3
Rated breaking capacity (Icn)		10,000 A
Service breaking capacity (Ics)		75 % Icn
Rated breaking and making capacity on a single pole (Icn1) = Icn		
Additional characteristics		
Degree of protection (IEC 60529)	Device only	IP20
	Device in modular enclosure	IP40 Insulation class II
Line-Load Reversibility		Yes
Endurance (O-C)	Electrical	≤ 20 A 20,000 cycles
	Mechanical	≥ 25 A 10,000 cycles
Operating temperature		-5 °C to +55 °C

Dimensions (mm)



Weight (g)

Circuit breaker	
Type	K60H Biconnect
1P	120
2P	240
3P	360
4P	480

Residual Current Circuit Breakers



Green Premium™
Product

IS 12640 (Part 1) IEC/EN 61008-1

- The ID K Biconnect residual current circuit breakers offer the following functions:
 - Protection of persons against electric shock by direct contact (30 mA)
 - Protection of persons against electric shock by indirect contact (100 mA)
 - Protection of installations against the risks of fire (300 mA)

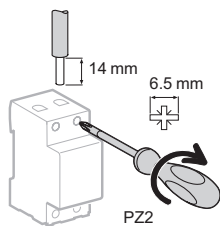
Catalogue numbers

ID K Biconnect Residual Current Circuit Breakers						
Type	AC			Width in 18 mm modules		
2P 	Rating	Sensitivity				
		25 A	30 mA	100 mA		300 mA
		40 A	A9KR11240	A9KR12240		A9KR14240
		63 A	A9KR11263	A9KR12263		A9KR14263
4P 	Rating	Sensitivity				
		25 A	A9KR11425	A9KR12425		A9KR14425
		40 A	A9KR11440	A9KR12440		A9KR14440
		63 A	A9KR11463	A9KR12463		A9KR14463
Operating voltage (Ue)	2P	240 V				
	4P	415 V				
Operating frequency	50 Hz					

Note:

- 1 Use of 30 mA RCCBs is now mandatory for all domestic applications** {CEA Amendment regulation 2015*}
- 2 Use of minimum 100 mA RCCBs is now mandatory for all installations** {CEA Amendment regulation 2015*}
- 3 Voltage Independent RCCBs for complete protection** - Schneider Electric RCCBs work on current sensing technology and provide protection even at extra low voltages (down to zero volts) and in case of break of neutral.

Connection

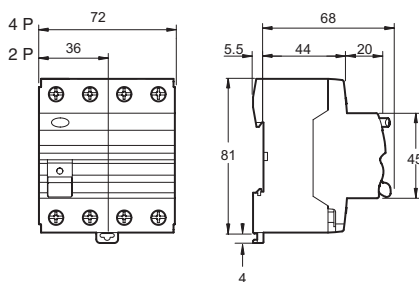


Type	Tightening torque	Copper cables	
		Rigid	Flexible or with ferrule
ID K Biconnect	3.5 N.m	1 to 35 mm ²	1 to 25 mm ²

Technical data

Main characteristics		
Insulation voltage (Ui)	440 V	
Rated impulse withstand voltage (Uimp)	4 kV	
Conditional rated short-circuit current (Inc/Δc) With circuit breaker	6000 A	
Behaviour in case of voltage drop	Residual current protection down to 0 V according to IEC/EN 61008-1 § 3.3.4	
Additional characteristics		
Degree of protection	Device only	IP20
	Device in a modular enclosure	IP40
Operating temperature	AC type	-5 °C to +55 °C

Dimensions (mm)



Ordering Information:

Add suffix <BQ> to the Product Reference to get the corresponding Ordering Code
Contact Schneider Electric Sales Representative or Customer Care Centre to get information on prices and standard pack sizes

* For Measures relating to Safety and Electric supply

Weight (g)

Residual current circuit breakers	
Type	ID K Biconnect
2P	180
4P	350

Isolators







IS/IEC 60947-3

Control and disconnection of on-load electrical circuits already guarded against overloads and short-circuit.

Catalogue numbers

SW Biconnect Switch Disconnectors

Type	Rating (In)	Voltage (Ue)	Width in 18 mm modules
1P			
	40 A	240 V AC	A9KS15140
	63 A	240 V AC	A9KS15163
2P			
	40 A	415 V AC	A9KS15240
	63 A	415 V AC	A9KS15263
	80 A	415 V AC	A9KS15280
3P			
	40 A	415 V AC	A9KS15340
	63 A	415 V AC	A9KS15363
4P			
	40 A	415 V AC	A9KS15440
	63 A	415 V AC	A9KS15463
	80 A	415 V AC	A9KS15480
Operating frequency			50 Hz

Technical data

Main characteristics

Insulation voltage (Ui) 500 V AC

Power circuit

Rated impulse withstand voltage (Uimp) 4 kV
 Operating category AC-22 A
 Permissible rated short-time withstand current (I_{cw}) 12 I_n for 300 ms
 Rated short circuit closing current (I_{cm}) 40 - 63 A 15 I_n
 80 A 1 kA

Additional characteristics

Degree of protection Device only IP20
 Device in modular enclosure IP40
 Endurance (O-C) Mechanical 20,000 cycles
 Electrical 10,000 cycles
 Operating temperature -5 °C to +55 °C

Weight (g)

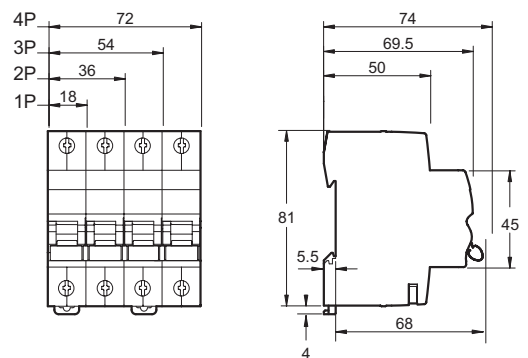
Biconnect switch-disconnectors

Type	SW Biconnect
1P	120
2P	240
3P	360
3P	480

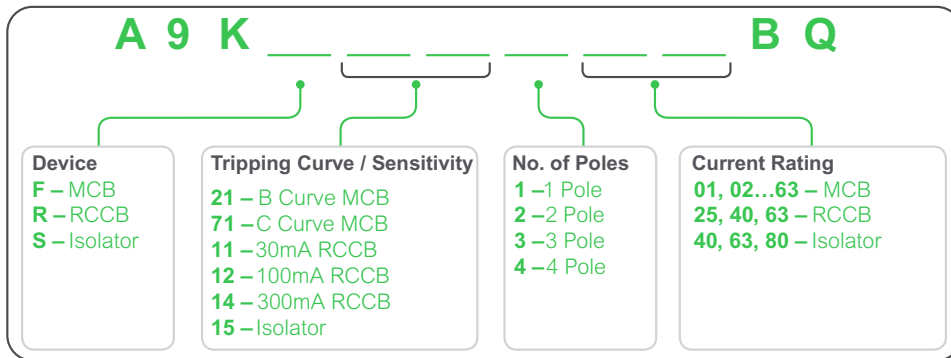
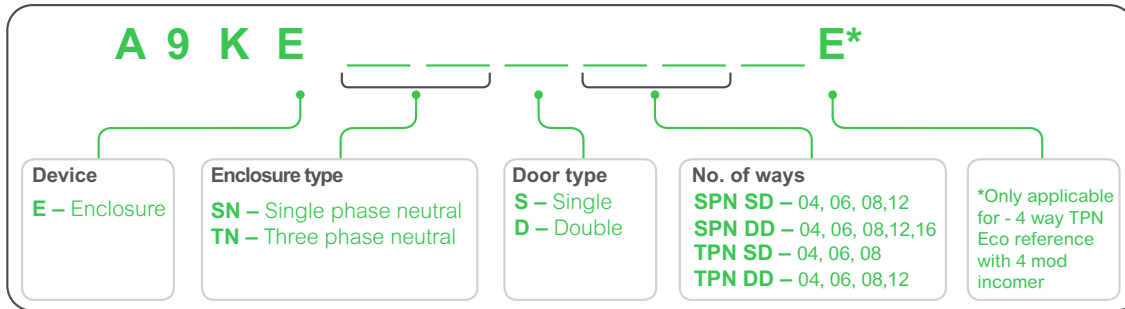
Ordering Information:

Add suffix <BQ> to the Product Reference to get the corresponding Ordering Code
 Contact Schneider Electric Sales Representative or Customer Care Centre to get information on prices and standard pack sizes

Dimensions (mm)



Reference Selection Guide



How to Reach Team@ CCC ?



Customers

BOARD LINES



Board Lines -
+91-172-3324500 (Mohali)
+91-80-43333333 (Bangalore)

TOLL FREE



CCC Toll Free Numbers:
1800425 4272, 1800103 0011

E-MAIL



in.campaign@schneider-electric.com

Open: Monday to Saturday 9:00 AM to 8:00 PM



Your fastest path to answers



Try the Customer Care by Schneider Electric app, today!



24/7 access to self-service support
Get free, immediate access to continuously updated technical content such as FAQs, product documentation (via search or QR code scan), product registration, services, technical courses...

Contact a local customer support expert
Connect to expertise on demand or request assistance with direct call and new case creation via the app.



Green Premium™

Endorsing eco-friendly products in the industry



Green Premium™

Product

Green Premium is the only label that allows you to effectively develop and promote an environmental policy whilst preserving your business efficiency. This ecolabel guarantees compliance with up-to-date environmental regulations, but it does more than this.

Over 75 % of Schneider Electric manufactured products have been awarded the Green Premium ecolabel



Discover what we mean by green

Check your products!

Schneider Electric's Green Premium ecolabel is committed to offering transparency, by disclosing extensive and reliable information related to the environmental impact of its products:

RoHS

Schneider Electric products are subject to RoHS requirements at a worldwide level, even for the many products that are not required to comply with the terms of the regulation. Compliance certificates are available for products that fulfil the criteria of this European initiative, which aims to eliminate hazardous substances.

REACH

Schneider Electric applies the strict REACH regulation on its products at a worldwide level, and discloses extensive information concerning the presence of SVHC (Substances of Very High Concern) in all of these products.

PEP: Product Environmental Profile

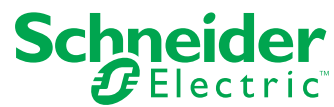
Schneider Electric publishes complete set of environmental data, including carbon footprint and energy consumption data for each of the lifecycle phases on all of its products, in compliance with the ISO 14025 PEP ecopassport program. PEP is especially useful for monitoring, controlling, saving energy, and/or reducing carbon emissions.

EoLI: End of Life Instructions

Available at the click of a button, these instructions provide:

- Recyclability rates for Schneider Electric products.
- Guidance to mitigate personnel hazards during the dismantling of products and before recycling operations.
- Parts identification for recycling or for selective treatment, to mitigate environmental hazards/ incompatibility with standard recycling processes.

Life Is On



schneider-electric.co.in

Schneider Electric India Pvt. Ltd.

Corporate office:

9th floor, DLF Building No. 10,
Tower C, DLF Cyber City, Phase II,
Gurgaon - 122002, Haryana.

Tel: 0124 3940400, Fax: 0124 4222036

Customer Care Centre:

Toll-free numbers: 1800 425 4272, 1800 103 0011

General number: 0124 4222 040

Email: in.campaign@schneider-electric.com