

# ITA-1611U

## Intel® Celeron™ J1900 Compact System Multiple COM Ports and USB Ports



### Features

- Fanless, Intel® Celeron™ J1900, 2.0 GHz Quad Core Compact System
- Onboard 4G DDR3 Memory and optional NVRAM
- Supports up to 2 x LAN, 6 x COM ports
- Supports 11 USB ports
- Replaceable secondary display output (VGA2/DVI-D/LVDS)
- Support dual full HD resolution video output
- No RED Certification

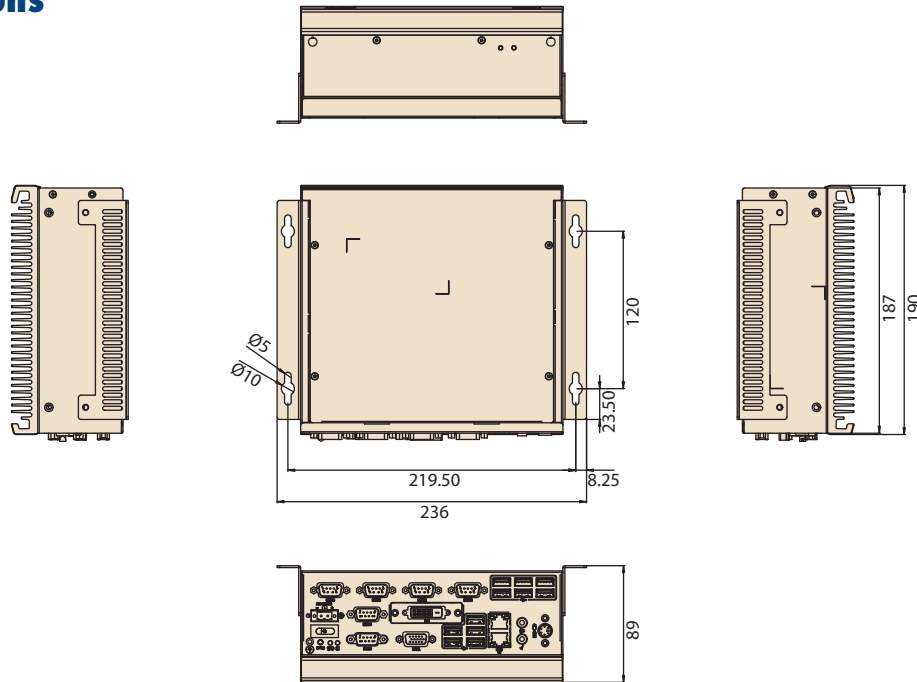


### System Specifications

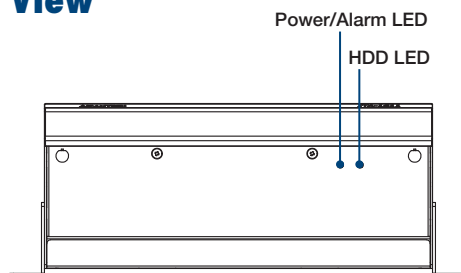
Processor System	CPU	Intel® Celeron™ J1900		
	Max Speed	2.0 GHz		
	L2 Cache	2 MB		
	Core Number	4		
	BIOS	AMI SPI 64Mb		
Memory	Technology	Dual channel DDR3 1333		
	Capacity	Onboard 4 GB (Up to total 8GB with SODIMM)		
Graphics	Chipset	Embedded Gen 4+GFX Core		
	VRAM	Shared system memory up to 256 MB SDRAM		
	Dual Display	DVI-D Single channel max: 1920 x 1080 @ 60Hz Dual channel max: 1920 x 1080 @ 60Hz		
	LVDS (optional)	Support 18bit /24bit dual channel up to 1920 x 1080 @ 60Hz		
Ethernet	Interface	10/100/1000 Mbps		
	Controller	2 x Intel I211		
	Connector	2 x RJ-45		
Storage	NVRAM	1 Mb FRAM(Optional)		
	Internal	1 x M-SATA socket Support 1 x 2.5" HDD/SSD (Optional)		
	External	1 x Easy Swap SATA Slim/CompactFlash Module		
I/O Interface	Main Display	VGA1		
	Secondary Display	DVI-D (VGA and LVDS optional)		
	LAN	2		
	USB	11 (10 x USB2.0, 1 x USB3.0)		
	COM	6 RS232 ports (include 2 RS232/422/485 ports with automatic flow control)		
Expansion Slots	Audio	1 x Speaker out with 2x4w amplifier, 1x Mic in		
	Mini PCIe	1		
Power	Power Input Voltage	DC 9 V ~ 36 V input		
Watchdog Timer	Output	System reset		
	Interval	Programmable 1~255 sec/min		
Environment	Temperature	Operating (W/O HDD)	Operating (With HDD)	Non-Operating
		-25 ~ 60° C	0 ~ 40° C	-40 ~ 85° C
Physical Characteristics	Dimensions (W x H x D)	200 x 85 x 190 mm		

## Dimensions

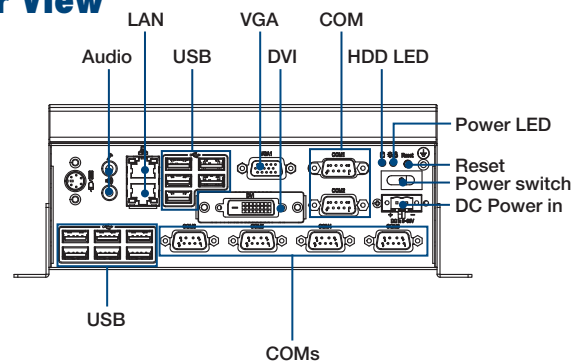
Unit: mm



## Front View



## Rear View



## Ordering Information

Part number	CPU	Onboard Memory	Display	COM	GbE LAN	USB
ITA-1611U-00A1E	J1900	4GB DDR3	VGA+DVI	6	2	11

## Packing List

Part.No	Description	Quantity
2001171100	Startup Menu(CHN)	1
2001171110	Startup Menu(ENG)	1
2062171010	CD-ROM	1
1960054855N001	HDD Bracket Part 1	1
1960065108N001	HDD Bracket Part 2	1
1700009409	HDD SATA Cable	1
1700017839	HDD Power Cable	1
1990021361N000	HDD Thermal Pad 1	1
1990021362N000	HDD Thermal Pad 2	1
1960052263T001	Mounting Bracket	2
1652002205	Plug-in Connector	1

## Optional Accessories

Part.No	Description
PCA-5650-00A1E	Mini PCIe VGA card
96PSA-A60W12P2-1	Adapter 100-240V 60W 12V
1700000596	Power Cord (China) CCC,10A 250V, 3P 1.83M
1702002600-01	Power Cord 3P UL/CSA(USA) 125V 10A 1.83M
1700018704	Power Cord BSI 2P 10A 250V 180cm
1702002605-01	Power cord 3P European 10A/16A 250V 1.83M
1960057419N011	DIO Bracket (front panel)
1960057419N001	LPT Bracket (front panel)
1960057418N001	VGA Bracket (front panel)