



FEATURES

- Universal AC input range
- **Protection** : Short Circuit, Over Voltage, Over Load
- Cooling By Free Air
- 100% Full Load Burn In Test
- CE Certified Product
- 1 Years Warranty
- Also Available with Din-rail Mount Bracket

MODEL INFORMATION

Model Number	Output Voltage	Output Current	Mounting Style
LESA25P5	5V	5A	Panel Mount
LESA25B5	5V	5A	With Din-rail Bracket
LESA25P12	12V	2.2A	Panel Mount
LESA25B12	12V	2.2A	With Din-rail Bracket
LESA25P24	24V	1.1A	Panel Mount
LESA25B24	24V	1.1A	With Din-rail Bracket

ORDER INFORMATION

LE S A 25 X Y	
LE	Lubi Electronics
S	Single Output
A	Series
25	Total Power
X	P = Panel Mounting B = With Din-rail Bracket
Y	Output Voltage : 5, 12, 15, 24, 48

INPUT SPECIFICATIONS

AC Input Voltage	90~264VAC
AC Input Current	0.4A/230V AC
DC Input Voltage	125~370V DC
Max Inrush Current	30A COLD START
Leakage Current	<2mA/240V AC

OUTPUT SPECIFICATIONS

MODEL NUMBER	LESA25P5 / LES A25B5	LESA25P12 / LES A25B12	LESA25P24 / LES A25B24
Output Voltage	5V	12V	24V
Output Current	5A	2.2A	1.1A
Output Power	25W	26W	25W
Output Voltage Adj. Range	4.75 ~ 5.5 V	10.8 ~ 13.2 V	22 ~ 27 V
Efficiency	80.00%	80.00%	80.00%
Line Regulation	+/- 1.5%	+/- 1%	+/- 1%
Load Regulation	+/- 1.5%	+/- 1%	+/- 1%
Ripple / Noise	100mVp-p	150mVp-p	150mVp-p
Setup Time / Rise Time	1800mS / 30mS		
Hold Time	100mS		
Indicator	Green Led		

PROTECTION

Short Circuit	Shut Down Output Voltage, Re-power On To Recover		
Over Load	Above 105% Rated Output Power		
Over Voltage	5.75 ~ 6.75 V	13.6 ~ 16.2 V	27 ~ 30 V

ENVIRONMENT

Storage Temp.	-20 ~ +70°C
Operating Temp.	-10 ~ +60°C
Relative Humidity	20 ~ 95% RH Nonconducting
Temperature Coefficient	+/- 0.03%/°C

SAFETY & EMC

Safety Standards	LVD Directive 2014/35/EU Approved
EMC Emission	Compliance To CISPR 11/22, EN61000-3-2,3
EMC Immunity	Compliance To EN61000-4-2,3,4,5,6,8,11
Isolation Resistance	

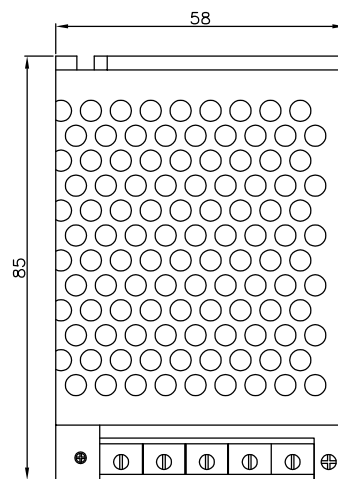
MECHANICAL DIMENSION

Case Chassis / Cover	Aluminium / SS
Dimension	85 x 56 x 34mm
Terminal	5 Pins

MOUNTING DRAWING

Panel Mounting

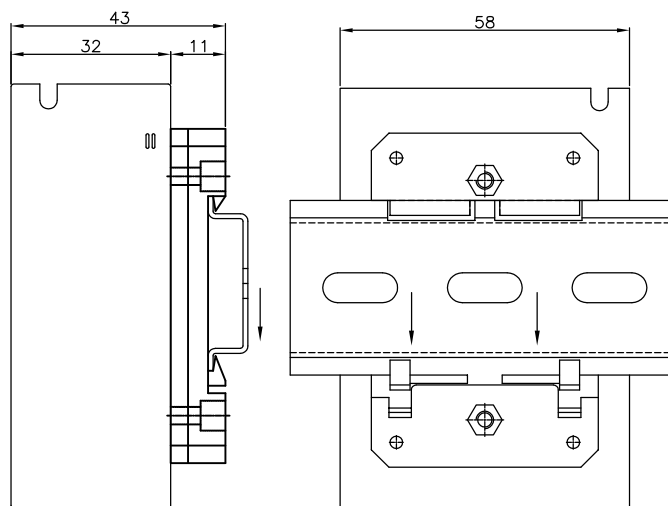
LESA25P5
LESA25P12
LESA25P24



FRONT VIEW

With Bracket Mounting

LESA25B5
LESA25B12
LESA25B24



SIDE VIEW

BACK VIEW