



FEATURES

- Universal AC input range
- **Protection** : Short Circuit, Over Load
- 7-segment display : Output Voltage, Output Current, Peak of Output Current, Output Power
- 2 Programmable Output Alarms (sinking type)
- Cooling By Free Air
- 100% Full Load Burn In Test

MODEL INFORMATION

Model Number	Output Voltage	Output Current	Mounting Style
LESS120D24	24V	5A	Din-rail Mount

ORDER INFORMATION

LE S S 120 X Y	
LE	Lubi Electronics
S	Single Output
S	Series
120	Total Power
X	P = Panel Mounting
	B = With Din-rail Bracket
Y	Output Voltage : 5,12, 15, 24, 48

INPUT SPECIFICATIONS

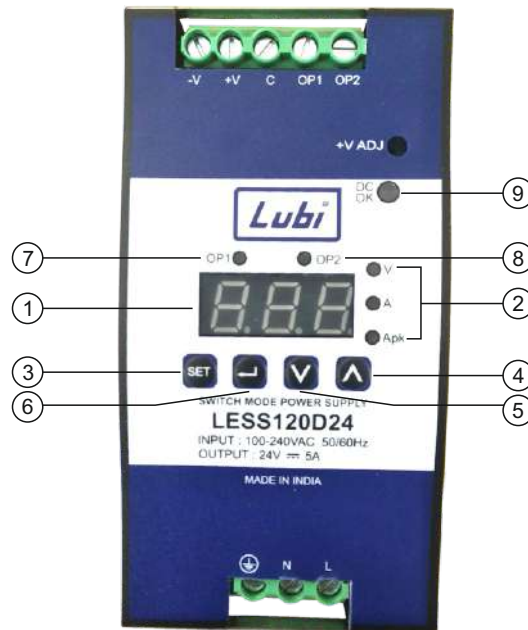
AC Input Voltage	90~264VAC, 50/60 Hz
AC Input Current	2.25A/115V AC 1.3A/230V AC
DC Input Voltage	127~370VDC [DC input operation possible by connecting AC/L(+), AC/N(-)]
Max Inrush Current	20A/115VAC 35A/230VAC
Leakage Current	<1mA/240V AC

OUTPUT SPECIFICATIONS

MODEL NUMBER	LESS120D24
Output Voltage	24V
Output Current	5A
Output Power	120W
Output Voltage Adj. Range	23 ~ 28 V
Efficiency	87.5%
Line Regulation	+/- 0.5%
Load Regulation	+/- 1%
Ripple / Noise	<120mVp-p
Setup Time / Rise Time	1200mS / 60mS 230VAC 2500mS / 60mS 115VAC at full load
Hold Time	16mS / 230VAC 10mS/115VAC at full load
Indicator	Green Led

PROTECTION

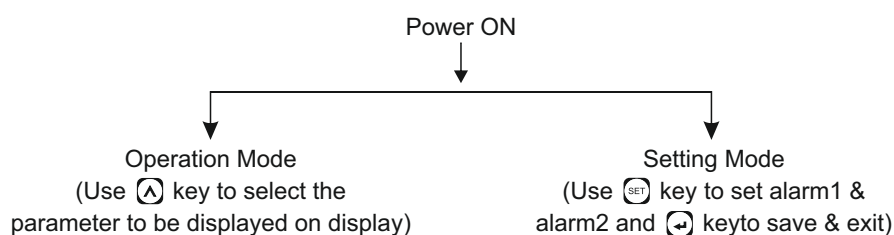
Over Voltage	29~33V Protection Type : Shut Down Output Voltage, Re-power On to Recover
Over Load	105~130% rated output power
Over Temperature	Shut Down Output Voltage, Re-power On to Recover



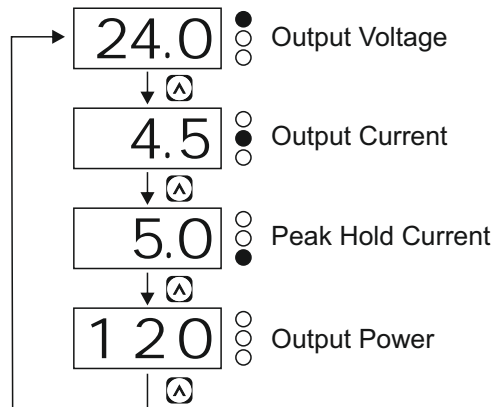
Name and Function of each part :

Name	Function	
① Main display	Indicates the measurement or the set value	
② Operation Indication	V	Lights up when output voltage is indicated
	A	Lights up when output current is indicated
	Apk	Lights up when peak hold current is indicated
③ SET Key	Use mode key to set parameters in setting mode	
④ ⬆ Key	Use the set key to increase parameter value & to select the parameter to be displayed on display	
⑤ ⬇ Key	Use the set key to decrease parameter value	
⑥ ↵ Key	Use the Enter key to Save the parameter values and Exit.	
⑦ OP1	Indication for output 1	
⑧ OP2	Indication for output 2	
⑨ DC OK	SMPS On Indication	

Mode change :

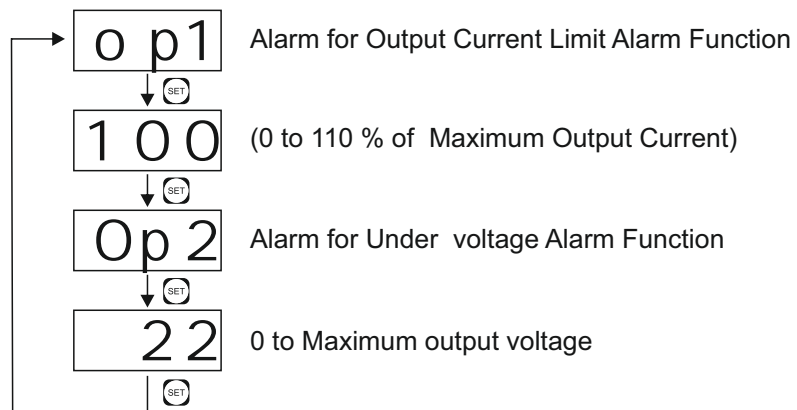


Operation Mode



Note : The output voltage will be displayed when the power supply is first turned on after it's received from factory.

Setting Mode



Self diagnostic Function

Main Display	Description	Restoration Method
Er1	Output current reached the set value for Alarm 1	Reset the alarm
Er 2	Output voltage gone under value set for Alarm 2	Check the load condition

ENVIRONMENT

Storage Temp.	-40 ~ +85°C
Operating Temp.	-20 ~ +60°C
Relative Humidity	20 ~ 95% RH Nonconducting

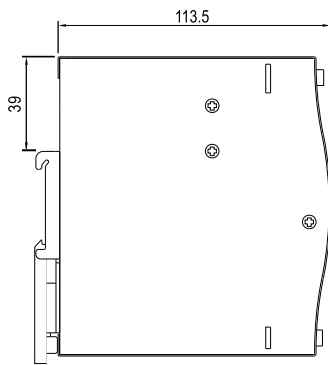
MECHANICAL DIMENSION

Case Chassis / Cover	Aluminium / SS
Dimension	63 x 125.2 x 113.5mm (W x H x D)

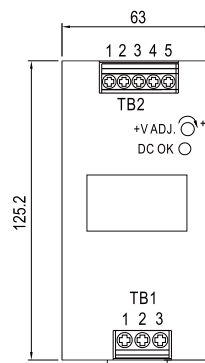
MOUNTING DRAWING

Mechanical Specification

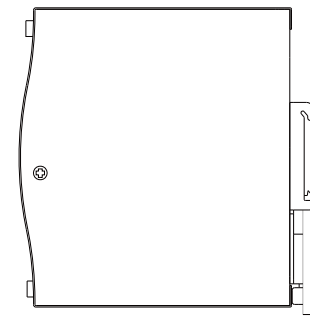
Unit : mm



Side View

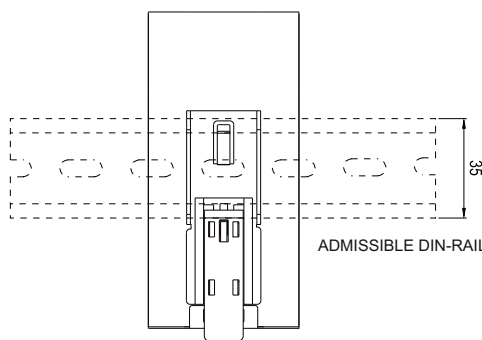


Front View



Side View

Installation Instruction



Back View

ADMISSIBLE DIN-RAIL: TS35/7.5 OR TS35/15

Terminal Pin No. Assignment (TB1)

Pin No.	Assignment
1	⊕ Ground
2	AC/N or DC -
3	AC/L or DC +

Terminal Pin No. Assignment (TB2)

Pin No.	Assignment
1	DC OUTPUT -V
2	DC OUTPUT +V
3	Common
4	OP1
5	OP2