

Panasonic

INDUSTRY

CMOS type
Micro Laser Distance Sensor

IO-Link Compatible,
High-level Self-diagnostic Type

HG-C SERIES
HG-C1000L SERIES

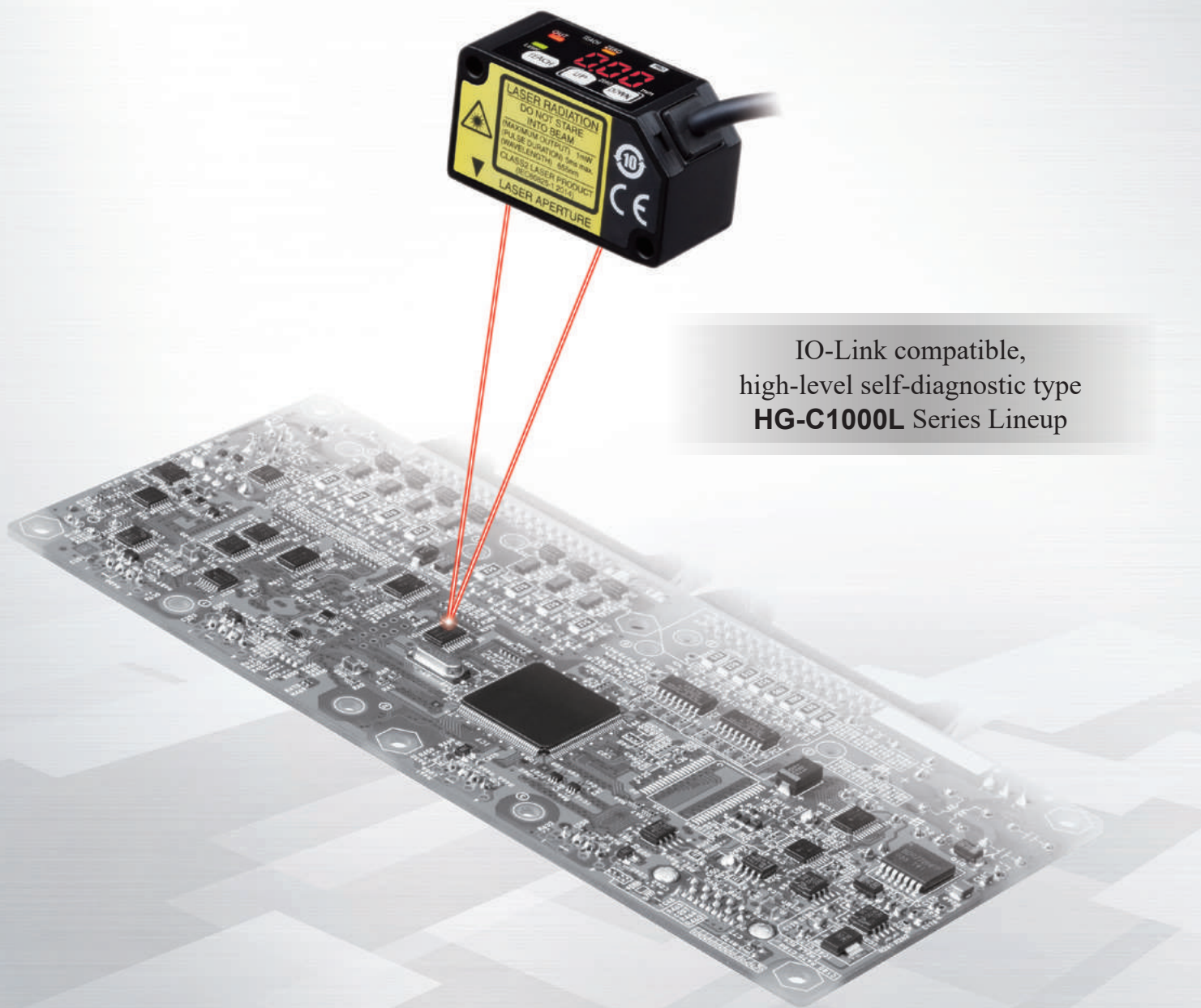


FDA
Conforming to
FDA regulations



Reliable detection
in repeatability **10 μm 0.394 mil***

*HG-C1030□



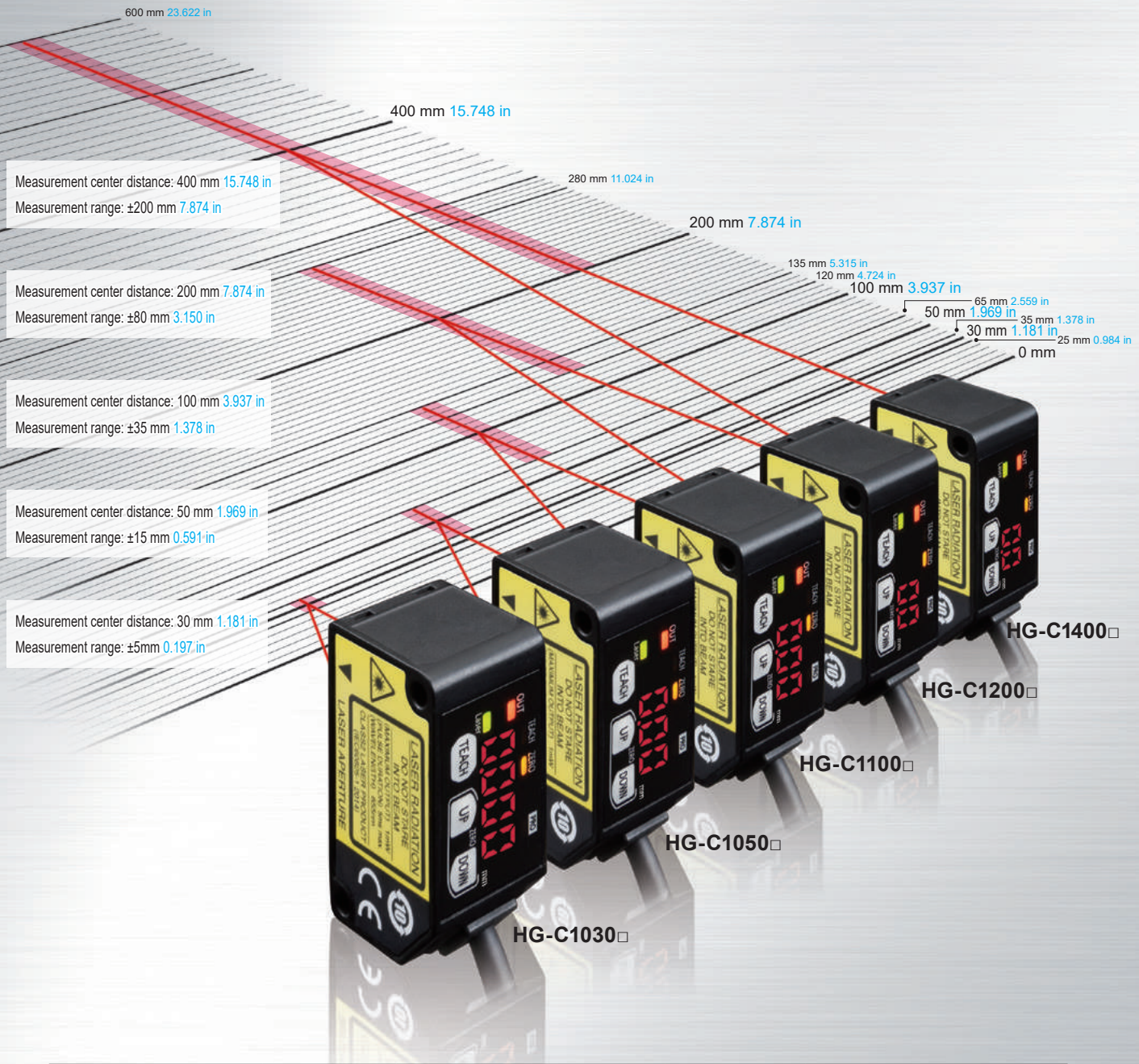
IO-Link compatible,
high-level self-diagnostic type
HG-C1000L Series Lineup

HG-C SERIES

Repeatability
10 μm 0.394 mil
 *HG-C1030□

Dimensions
W20 × H44 × D25 mm
W0.787 × H1.732 × D0.984 in

Inflection resistant cable
HG-C1□0(-P)
are adopted.



Item	Model No.	HG-C1030□	HG-C1050□	HG-C1100□	HG-C1200□	HG-C1400□
Measurement center distance		30 mm 1.181 in	50 mm 1.969 in	100 mm 3.937 in	200 mm 7.874 in	400 mm 15.748 in
Measurement range		±5 mm 0.197 in	±15 mm 0.591 in	±35 mm 1.378 in	±80 mm 3.150 in	±200 mm 7.874 in
Beam diameter		ø50 μm 1.969 mil approx.	ø70 μm 2.756 mil approx.	ø120 μm 4.724 mil approx.	ø300 μm 11.811 mil approx.	ø500 μm 19.685 mil approx.
Repeatability		10 μm 0.394 mil	30 μm 1.181 mil	70 μm 2.756 mil	200 μm 7.874 mil	300 μm 11.811 mil (Measuring distance 200 to 400 mm 7.874 to 15.748 in) 800 μm 31.496 mil (Measuring distance 400 to 600 mm 15.748 to 23.622 in)

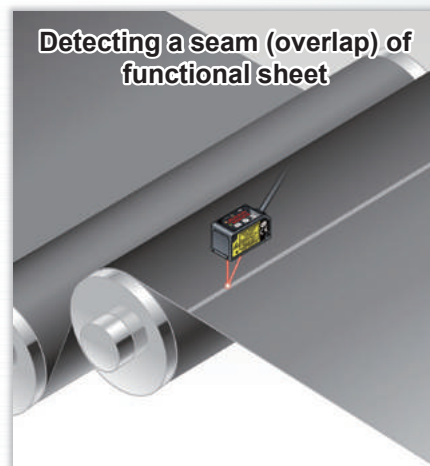
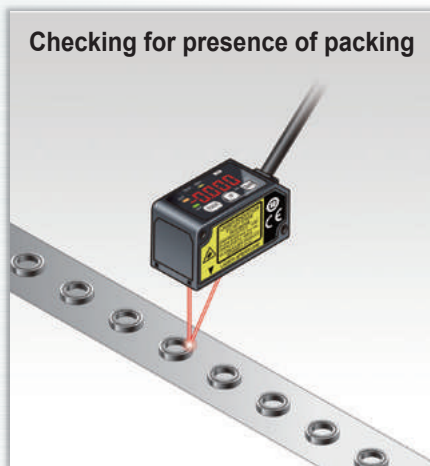
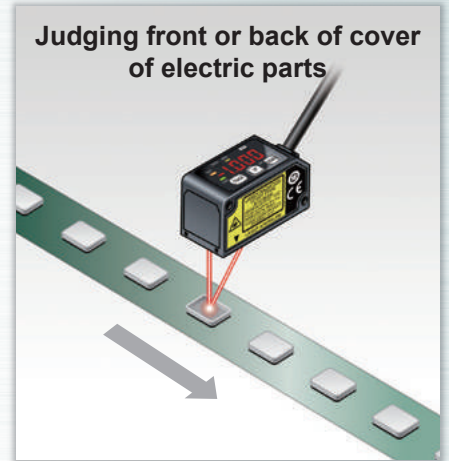
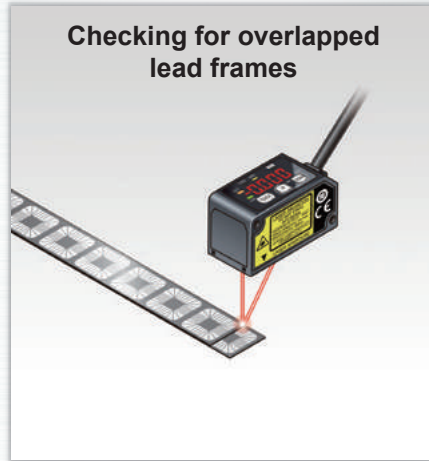
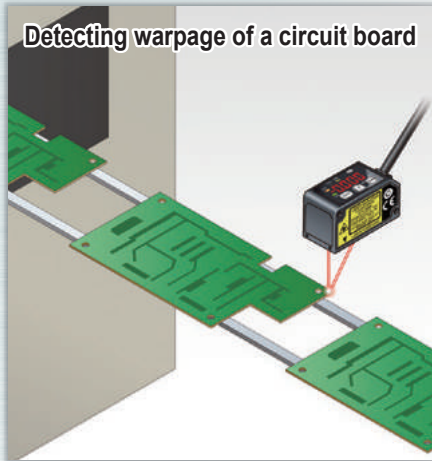
Overwhelmingly stable

Precise measurements on the order of 1/100 mm **0.0003 inch***

*HG-C1030□

Excellent level detection performance

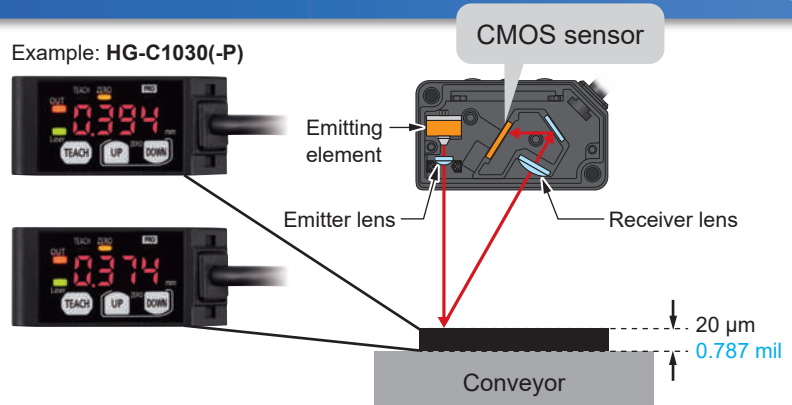
Repeatability: 10 μm **0.394 mil** *HG-C1030□



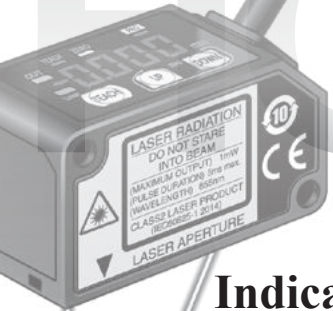
Fitted with a precise CMOS image sensor and an original algorithm

Thanks to a precise CMOS image sensor, it is now possible to perform highly precise measurements in the order of 1/100 mm **0.0003 in**. The existing adjustable range reflective sensors cannot achieve such accuracy.

Example: HG-C1030(-P)



HG-C SERIES

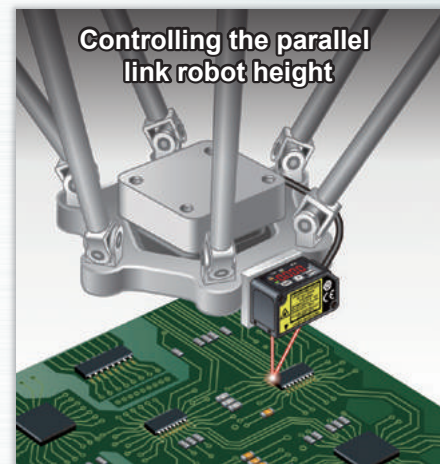
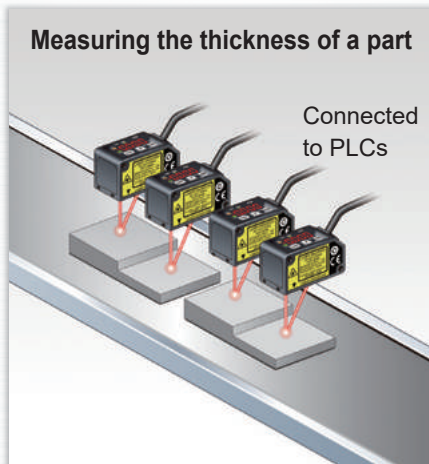
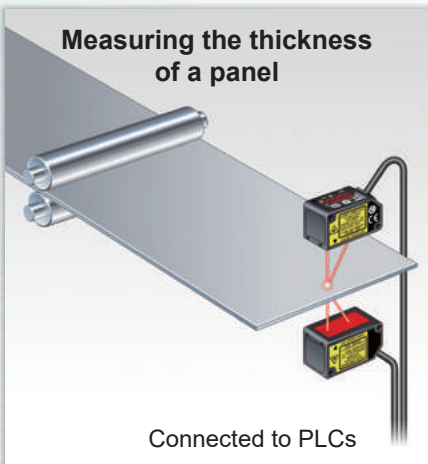
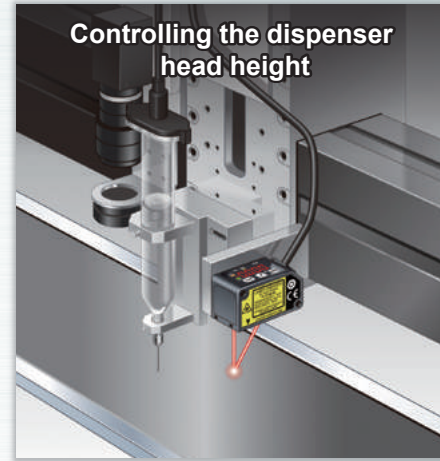
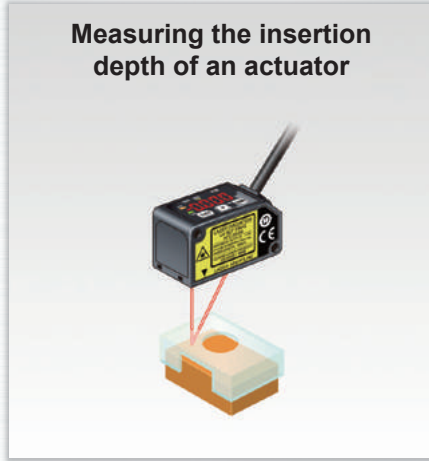
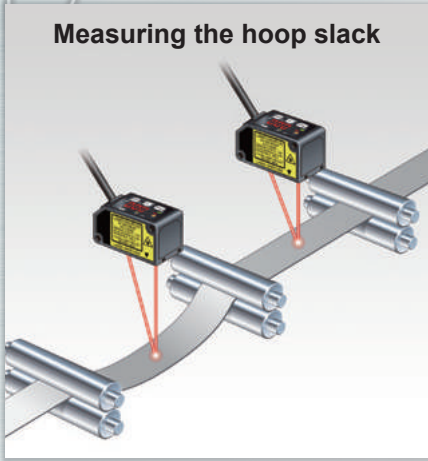


Indicates real measurements

Linearity: $\pm 0.1\%$ F.S.
 *HG-C1030(-P) / HG-C1050(-P) / HG-C1100(-P)

Compact and

W20 × H44 × D25 mm W0
 35 g approx. (excluding

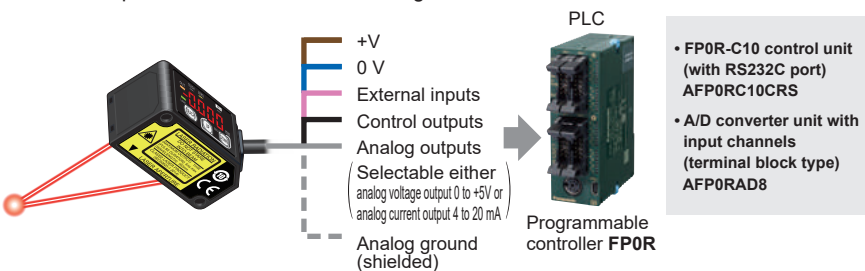


Equipped with 0 to 5 V analog output and 4 to 20 mA analog current output **HG-C1□0(-P)**

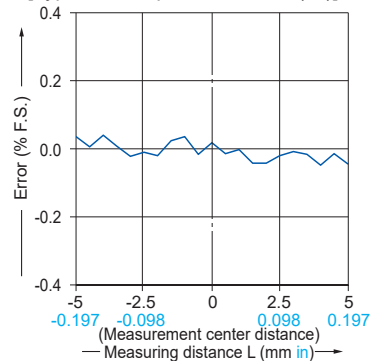
The value can be measured with a distance measurement sensor.

- Linearity: $\pm 0.1\%$ F.S.*
- Temperature characteristics: 0.03%F.S./°C

The sensor not only indicates measured values in mm but also produces analog outputs. Various calculations and storage (logging) can be performed when output is taken into a PLC + analog unit.



*HG-C1030(-P)/ HG-C1050(-P)/ HG-C1100(-P)
 ■ Linearity characteristics [Typical example: HG-C1030(-P)]



Compact

The smallest CMOS laser sensor in the industry*

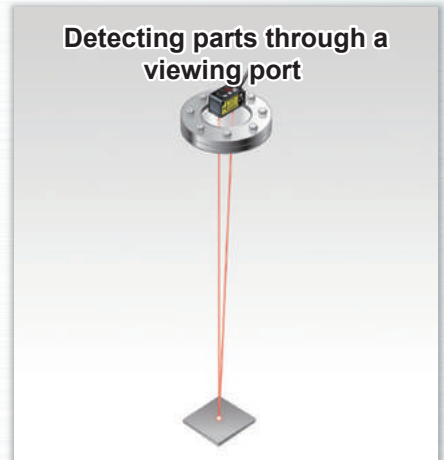
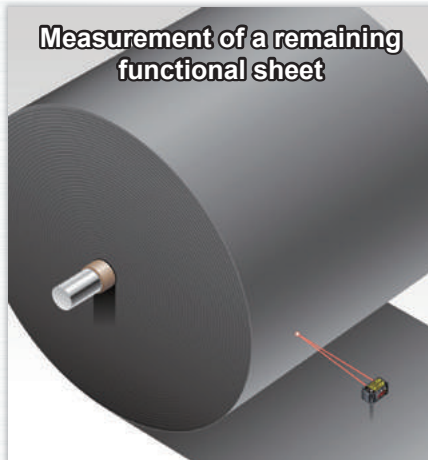
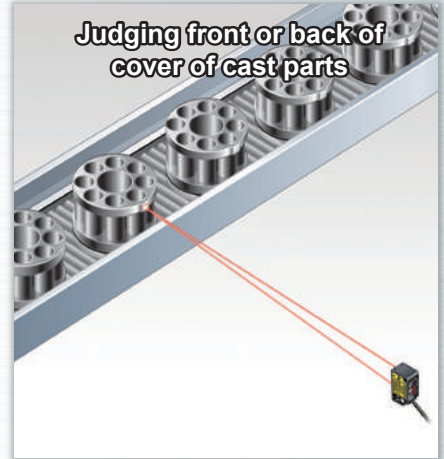
*Based on research conducted by our company as of August 2019

light-weight

17.787 × 11.732 × D0.984 in,
the cable) *HG-C1□0(-P)

Long distance measurement

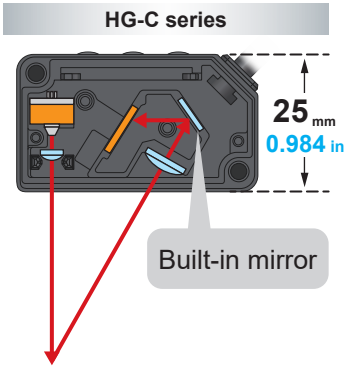
Measurement center distance: 400 mm 15.748 in *HG-C1400□,
200 mm 7.874 in *HG-C1200□



Remove water droplets on detection surface to achieve correct measurement.

A new optical system with a built-in mirror

In general, more accurate and stable measurements can be obtained by increasing the optical path length between the light-receiving part and the light receiving element (CMOS), but this also increases the sensor depth and the sensor body gets bigger. The **HG-C** series sensors incorporating a new optical system with a built-in mirror provides smaller sensor depth as well as higher measurement accuracy equivalent to displacement sensors.

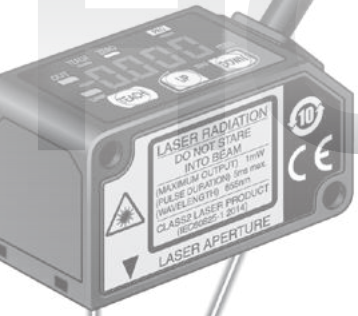


An aluminum die-cast casing protects from strain and heat

A light-weight but strong die-cast aluminum casing has been adopted. A compact, solid body casing reduces the impact of strain and heat on the measurement accuracy.

Aluminum die-cast casing

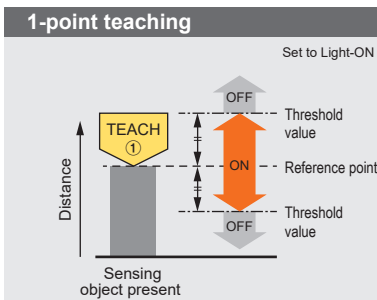




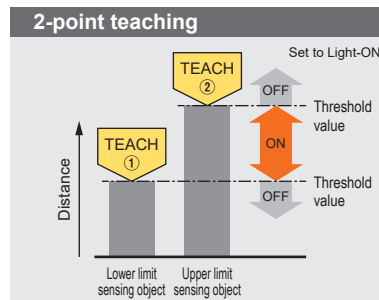
Useful functions

Teaching & window comparator mode

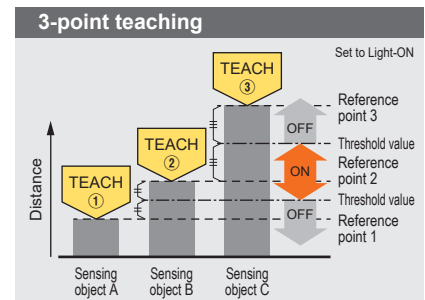
With an object below the sensor, press the TEACH key to set the valid range for distances via threshold values. There are 3 methods for setting the valid range: 1-point, 2-point, and 3-point teaching.



Perform 1-point teaching and the threshold range is set for the distance from the reference surface of the sensing object. This is used for sensing within the threshold range.



Press TEACH once for the lower (first point) and once for the upper limit (second point).



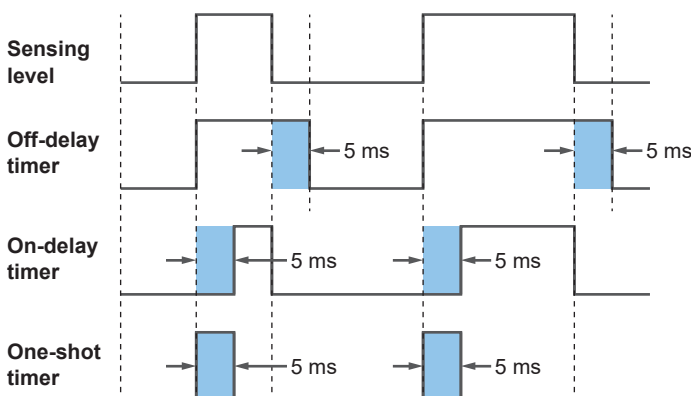
This is the method to set the threshold range by conducting the teaching at 3 points (sensing object A, B and C). After teaching, the reference points are automatically sorted in ascending order (reference point 1, 2 and 3). The thresholds are set at the midpoints between reference point 1 and 2, and 2 and 3, respectively.



In addition to the teaching & window comparator mode, the "rising differential mode", "trailing differential mode" and "normal sensing mode" are available. In normal sensing mode, "2-point teaching" as basic teaching and "limit teaching," which is useful for very small objects and backgrounds, are possible.

Timer setting function

The time mode options are "off-delay timer," "on-delay timer," "one-shot timer" and "no timer." The counting time is fixed to 5 ms.



Timer period: 5 ms (fixed)

Off-delay timer

Function: Extends output signals by 5 ms.
Usage: Appropriate in case a connected device is slow to respond and ON time is required to extend.

On-delay timer

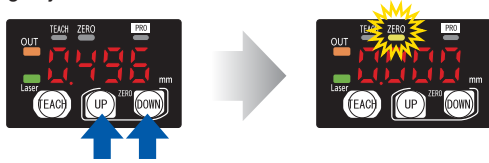
Function: Overrides output signals for 5 ms after detection.
Usage: Convenient way to override temporary signals and control with a time lag.

One-shot timer

Function: Sends output signals for only 5 ms after detection.
Usage: Useful when the signal duration needs to be constant to meet inputs from a connected device. This mode is also used to extend temporary signals by a desired length of time.

Zero set function

This function compulsorily sets the measured value to "zero." The zero point can be set at a desired value. It is useful when measuring steps or tolerance with reference to the height of a sensing object.

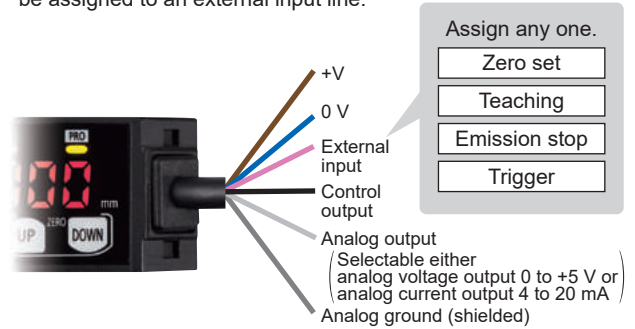


Keep pressing both keys for 3 seconds.

- * The zero set indicator (yellow) will turn ON while the zero set is valid.
- * When the zero set function is executed while the peak hold function or the bottom hold function is valid, the held measurement value is reset.
- * When the display setting is set to offset, the zero set function cannot be set.

External input setting function HG-C1□0(-P)

One of four functions, "zero setting function," "teaching function," "emission stopping function" and "trigger function" can be assigned to an external input line.



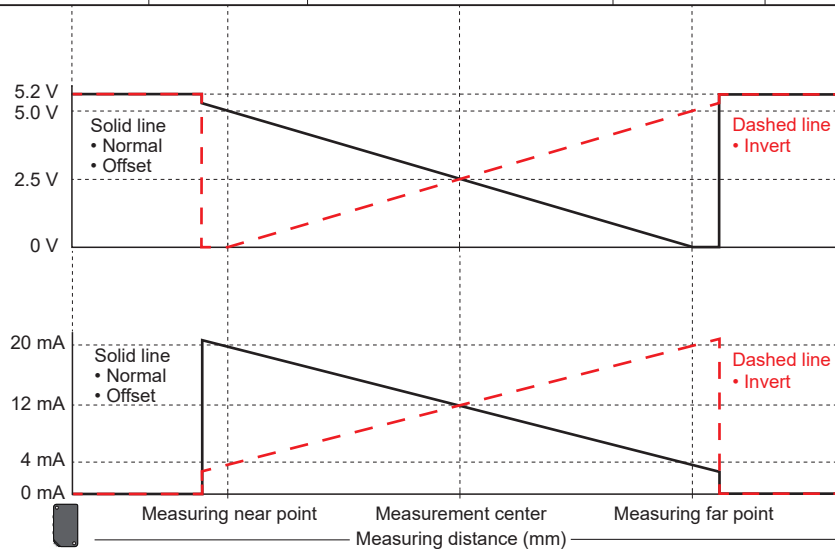
Display setting function

How to indicate measured values of the moving sensed object can be chosen from three options, "Normal," "Invert" and "Offset."

Example: HG-C1050(-P)

		Outside the measuring range	Measuring near point	Measurement center	Measuring far point	Outside the measuring range
Display setting	Normal	---	1500 mm	000 mm	-1500 mm	---
	Invert	---	-1500 mm	000 mm	1500 mm	---
	Offset	---	3000 mm	1500 mm	000 mm	---

■ Relation between the setting display and the analog output (in case of analog voltage) output



(in case of analog current) output

Peak and bottom hold functions

The peak hold function holds the maximum measured value which is output and displayed.

The bottom hold function holds the minimum measured value which is output and displayed.

- * The peak hold function and the bottom hold function cannot be set at the same time.
- * When the zero set function is executed while the peak hold function or the bottom hold function is valid, the held measurement value is reset.

Threshold value fine adjustment function

Fine adjustment of threshold values can be performed while measurement is proceeding on the display, and even after teaching.

- * For other functions and procedures for setting the functions, see the instruction manual provided with the product.

Key lock function

This function protects setting conditions from unintentional changes.

Reduction of the data analysis burden - one small step towards IoT.

IO-Link Compatible, High-level Self-diagnostic type **HG-C1000L SERIES** **Self-Monitoring Sensor**

IO-Link compatible

Collecting sensor level data

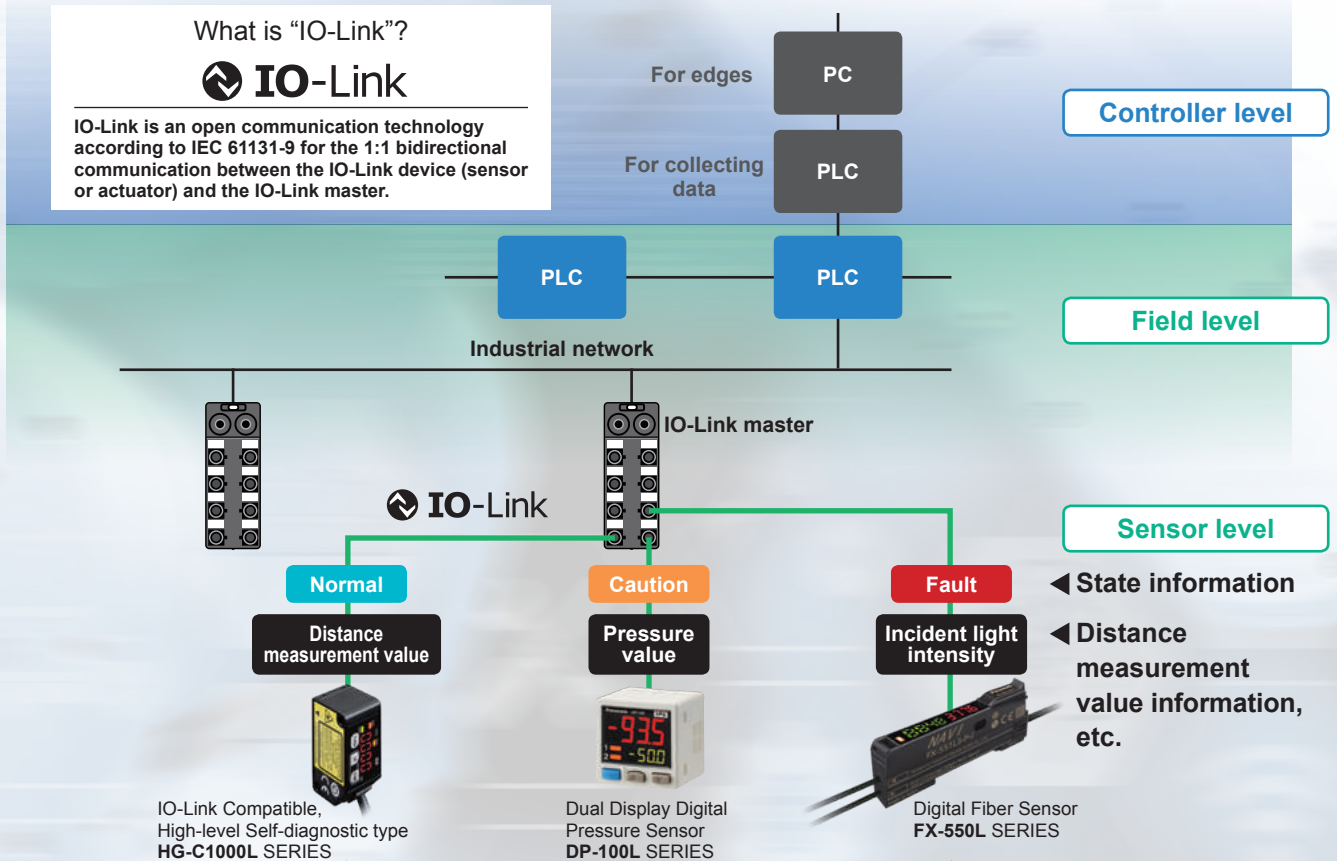
Field data collected and accumulated for “preventive maintenance” and “operation monitoring”.

An analysis of such field data requires high-level know-how and time, causing a burden to people responsible for the production site management.

The **Self-Monitoring Sensor** manufactured by Panasonic is capable of reporting sensor data and its own state to the host device through the I/O Link master.

With the Self-Monitoring Sensor, you can immediately judge the state of the sensor and easily identify the cause of failure.

Thus, this sensor contributes to the **reduction of the burden experienced by the client in collecting and analyzing data.**

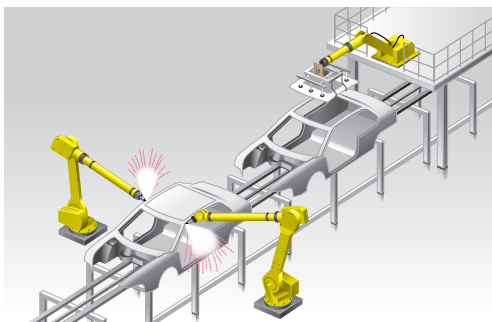


With the Panasonic’s Self-Monitoring Sensor, you can leave the sensor to diagnose its own state!

Before the introduction of Self-Monitoring Sensors

Preventive maintenance

- We want to avoid production line stoppage that might occur due to unexpected sensor failure.
- **Line stoppage hours × (manufacturing unit cost / hour) = Loss**
- We want to minimize the production line down time to almost zero.



Problems

- ◆ The amount of data to be collected is large and this may lower the PLC processing capacity.
- ◆ The burden of data analysis is large.
- ◆ Resetting the replaced sensors is troublesome.

After the introduction of Self-Monitoring Sensors

From preventive maintenance to predictive maintenance

Leave the sensor diagnosis to the sensor itself.

- All you need to do is to monitor the sensor state.
- PLC can be used exclusively for controlling devices.
- Possible to check detail information at a desired timing.

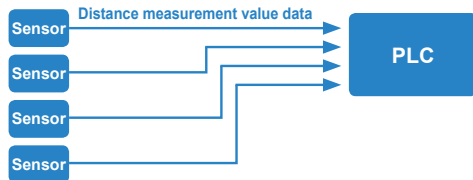
Leave the resetting for replaced sensors to the higher-level master

- Automatically written from the connected master.
- Possible not only to save time but also to prevent human errors.

Incorporated high-level self-diagnosis function

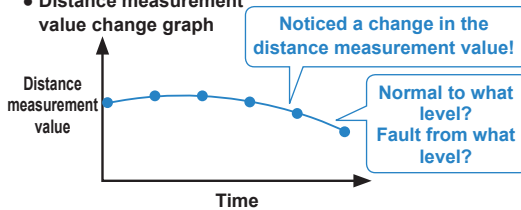
With the Panasonic's Self-Monitoring Sensor, you can get high-level solutions!

The introduction of IoT requires collection of the distance measurement value data and presents the following problems.

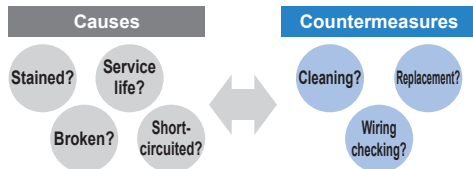


Previously only ON/OFF data was required. But, due to an addition of the distance measurement value data, the PLC processing burden has increased.

• Distance measurement value change graph



We noticed a change in the distance measurement value. However, because there is no judgment criteria, we cannot tell whether the incident light status is normal or not.



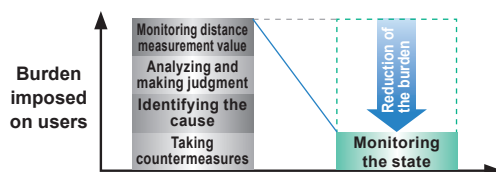
Unless we identify the cause of changes in the distance measurement value, we cannot optimize countermeasures targeting the sensors.

Problems are solved by the high-level self-diagnosis.

Judgement of the state

		Judgement of the state	
Normal		Operation is normal.	
	Notification	Check the settings. Detected state is faulty.	* Recover to the normal state through checking installation and settings. Reduction in the incident light intensity.
Caution		Getting close to the end of service life. Reached the state where the device should be replaced.	* Limitation in the writing frequency into the memory or in the operation hours, etc.
Fault		Short-circuited or broken. Reached the state where it is impossible to control as a device.	* Short-circuited output, damaged EEPROM, etc.

Easy use of IoT



“Predictive maintenance” can be easily achieved through monitoring the state of the Self-Monitoring Sensor.

ORDER GUIDE

Type	Appearance	Measurement center distance and measurement range	Repeatability	Beam diameter (Note)	Model No.	
					NPN output	PNP output
Measurement center 30 mm 1.181 in type		30 ± 5 mm 1.181 ± 0.197 in	10 µm 0.394 mil	ø50 µm 1.969 mil approx.	HG-C1030	HG-C1030-P
Measurement center 50 mm 1.969 in type		50 ± 15 mm 1.969 ± 0.591 in	30 µm 1.181 mil	ø70 µm 2.756 mil approx.	HG-C1050	HG-C1050-P
Measurement center 100 mm 3.937 in type		100 ± 35 mm 3.937 ± 1.328 in	70 µm 2.756 mil	ø120 µm 4.724 mil approx.	HG-C1100	HG-C1100-P
Measurement center 200 mm 7.874 in type		200 ± 80 mm 7.874 ± 3.150 in	200 µm 7.874 mil	ø300 µm 11.811 mil approx.	HG-C1200	HG-C1200-P
Measurement center 400 mm 15.748 in type		400 ± 200 mm 15.748 ± 7.874 in	300 µm 11.811 mil (Measuring distance 200 to 400 mm 7.874 to 15.748 in) 800 µm 31.496 mil (Measuring distance 400 to 600 mm 15.748 to 23.622 in)	ø500 µm 19.685 mil approx.	HG-C1400	HG-C1400-P

Note: This is the size in the measurement center distance. These values were defined by using 1/e² (13.5 % approx.) of the center light intensity. Due to leak light outside the specified area, the reflectance around the detecting point may be higher than at the point and this may affect the measurement value.

IO-Link compatible, High-level self-diagnostic type HG-C1000L series

Type	Appearance	Measurement center distance and measurement range	Repeatability	Beam diameter (Note)	Model No.	Control output
Discrete wire type		30 ± 5 mm 1.181 ± 0.197 in	10 µm 0.394 mil	ø50 µm 1.969 mil approx.	HG-C1030L3-P	PNP open-collector transistor
		50 ± 15 mm 1.969 ± 0.591 in	30 µm 1.181 mil	ø70 µm 2.756 mil approx.	HG-C1050L3-P	
		100 ± 35 mm 3.937 ± 1.328 in	70 µm 2.756 mil	ø120 µm 4.724 mil approx.	HG-C1100L3-P	
		200 ± 80 mm 7.874 ± 3.150 in	200 µm 7.874 mil	ø300 µm 11.811 mil approx.	HG-C1200L3-P	
		400 ± 200 mm 15.748 ± 7.874 in	300 µm 11.811 mil (Measuring distance 200 to 400 mm 7.874 to 15.748 in) 800 µm 31.496 mil (Measuring distance 400 to 600 mm 15.748 to 23.622 in)	ø500 µm 19.685 mil approx.	HG-C1400L3-P	
M12 connector type	 Supports Smartclick (Note 2)	30 ± 5 mm 1.181 ± 0.197 in	10 µm 0.394 mil	ø50 µm 1.969 mil approx.	HG-C1030L3-P-J	
		50 ± 15 mm 1.969 ± 0.591 in	30 µm 1.181 mil	ø70 µm 2.756 mil approx.	HG-C1050L3-P-J	
		100 ± 35 mm 3.937 ± 1.328 in	70 µm 2.756 mil	ø120 µm 4.724 mil approx.	HG-C1100L3-P-J	
		200 ± 80 mm 7.874 ± 3.150 in	200 µm 7.874 mil	ø300 µm 11.811 mil approx.	HG-C1200L3-P-J	
		400 ± 200 mm 15.748 ± 7.874 in	300 µm 11.811 mil (Measuring distance 200 to 400 mm 7.874 to 15.748 in) 800 µm 31.496 mil (Measuring distance 400 to 600 mm 15.748 to 23.622 in)	ø500 µm 19.685 mil approx.	HG-C1400L3-P-J	

Notes: 1) This is the size in the measurement center distance. These values were defined by using 1/e² (13.5 % approx.) of the center light intensity. Due to leak light outside the specified area, the reflectance around the detecting point may be higher than at the point and this may affect the measurement value.

2) Smartclick is a registered trademark of OMRON Corporation.

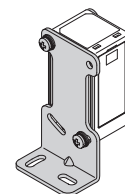
OPTIONS

Designation	Model No.	Description
Simple mounting bracket (Note)	MS-HG-01	Foot angled mounting bracket

Note: Due to the simple mounting bracket, the sensing characteristics may not be hold depending on the installation condition, in case of the purposes for acquiring the displacement data and a fine detecting.

Simple mounting bracket

•MS-HG-01



Material: Stainless steel (SUS304)

Two M3 (length 25 mm 0.984 in) screws with washers (SPCC) are attached.

Recommended extension cables for M12 connector type

Manufactured by OMRON Corporation

Extension cable with connectors on both ends XS5W series

* Smartclick is a registered trademark of OMRON Corporation. Contact the manufacturer for details of the recommended products.

SPECIFICATIONS

Item	Model No.	Type	Measurement center 30 mm 1.181 in type	Measurement center 50 mm 1.969 in type	Measurement center 100 mm 3.937 in type	Measurement center 200 mm 7.874 in type	Measurement center 400 mm 15.748 in type
		NPN output	HG-C1030	HG-C1050	HG-C1100	HG-C1200	HG-C1400
		PNP output	HG-C1030-P	HG-C1050-P	HG-C1100-P	HG-C1200-P	HG-C1400-P
Regulatory compliance and certification		EMC Directive, RoHS Directive, FDA Regulations, UL/c-UL Certification					
Measurement center distance		30 mm 1.181 in 50 mm 1.969 in 100 mm 3.937 in 200 mm 7.874 in 400 mm 15.748 in					
Measurement range		±5 mm 0.197 in ±15 mm 0.591 in ±35 mm 1.328 in ±80 mm 3.150 in ±200 mm 7.874 in					
Repeatability		10 μm 0.394 mil 30 μm 1.181 mil 70 μm 2.756 mil 200 μm 7.874 mil 300 μm 11.811 mil (Measuring distance 200 to 400 mm 7.874 to 15.748 in) 800 μm 31.496 mil (Measuring distance 400 to 600 mm 15.748 to 23.622 in)					
Linearity		±0.1 % F.S. ±0.2 % F.S. ±0.2 % F.S. (Measuring distance 200 to 400 mm 7.874 to 15.748 in) ±0.3 % F.S. (Measuring distance 400 to 600 mm 15.748 to 23.622 in)					
Temperature characteristic		0.03 % F.S./°C					
Light source		Red semiconductor laser Class 2 [JIS/IEC/GB/FDA (Note 2)] Max. output: 1 mW, emission peak wavelength: 655 nm 0.026 mil					
Beam diameter (Note 3)		ø50 μm 1.969 mil approx. ø70 μm 2.756 mil approx. ø120 μm 4.724 mil approx. ø300 μm 11.811 mil approx. ø500 μm 19.685 mil approx.					
Supply voltage		12 to 24 V DC ±10 %, Ripple P-P 10 % or less					
Power consumption		40 mA or less (at 24 V DC supply voltage), 65 mA or less (at 12 V DC supply voltage)					
Control output		<div style="display: flex; justify-content: space-between;"> <div style="width: 45%;"> <p><NPN output type> NPN open-collector transistor</p> <ul style="list-style-type: none"> • Maximum sink current: 50 mA • Applied voltage: 30 V DC or less (Between control output to 0V) • Residual voltage: 1.5 V or less (At 50 mA sink current) • Leakage current: 0.1 mA or less </div> <div style="width: 45%;"> <p><PNP output type> PNP open-collector transistor</p> <ul style="list-style-type: none"> • Maximum source current: 50 mA • Applied voltage: 30 V DC or less (Between control output to +V) • Residual voltage: 1.5 V or less (At 50 mA source current) • Leakage current: 0.1 mA or less </div> </div>					
Output operation		Switchable between either Light-ON or Dark-ON					
Short-circuit protection		Incorporated (Auto reset type)					
Analog output		<div style="display: flex; justify-content: space-between;"> <div style="width: 45%;"> <p>Analog voltage output</p> <ul style="list-style-type: none"> • Output range: 0 to +5 V (at alarm: +5.2 V) • Output impedance: 100 Ω </div> <div style="width: 45%;"> <p>Analog current output</p> <ul style="list-style-type: none"> • Output range: 4 to 20 mA (at alarm: 0 mA) • Load impedance: 300 Ω or less </div> </div>					
Response time		Switchable between 1.5 ms / 5 ms / 10 ms					
External input		<div style="display: flex; justify-content: space-between;"> <div style="width: 45%;"> <p><NPN output type> NPN non-contact input</p> <ul style="list-style-type: none"> • Input conditions Invalid: +8 to +V DC or Open Valid: 0 to +1.2 V DC • Input impedance: 10 kΩ approx. </div> <div style="width: 45%;"> <p><PNP output type> PNP non-contact input</p> <ul style="list-style-type: none"> • Input conditions Invalid: 0 to +0.6 V DC or Open Valid: +4 to +V DC • Input impedance: 10 kΩ approx. </div> </div>					
Pollution degree		2					
Operating altitude		2,000 m 6561.680 ft or less					
Environmental resistance	Protection	IP67 (IEC)					
	Ambient temperature	-10 to +45 °C -14 to 113 °F (No dew condensation or icing allowed), Storage: -20 to +60 °C -4 to 140 °F					
	Ambient humidity	35 to 85 % RH, Storage: 35 to 85 % RH					
	Ambient illuminance	Incandescent light: 3,000 lx or less at the light-receiving face					
	Vibration resistance	10 to 55 Hz (period: 1 min.) frequency, 1.5 mm 0.059 in double amplitude in X, Y and Z directions for two hours each					
	Shock resistance	500 m/s ² acceleration (50 G approx.) in X, Y and Z directions three times each					
Cable		5-core composite cable, 2 m 6.5617 ft long					
Cable extension		Extension up to total 10 m 32.808 ft is possible with 0.3 mm ² , or more, cable.					
Material		Enclosure: Aluminum die-cast, Front cover: Acrylic					
Weight		Net weight: 35 g approx. (without cable), 85 g approx. (including cable)					

Notes: 1) Supply voltage: 24 V DC, ambient temperature: +20 °C **+68 °F**, response time: 10 ms, and analog output value of measurement center distance are used for unspecified measurement conditions. The subject is white ceramics.
 2) This product complies with 21 CFR 1040.10 and 1040.11 Laser Notice No. 50, dated June 24, 2007, issued by CDRH (Center for Devices and Radiological Health) under the FDA (Food and Drug Administration).
 3) This is the size in the measurement center distance. These values were defined by using 1/e² (13.5 % approx.) of the center light intensity. Due to leak light outside the specified area, the reflectance around the detecting point may be higher than at the point and this may affect the measurement value.

SPECIFICATIONS

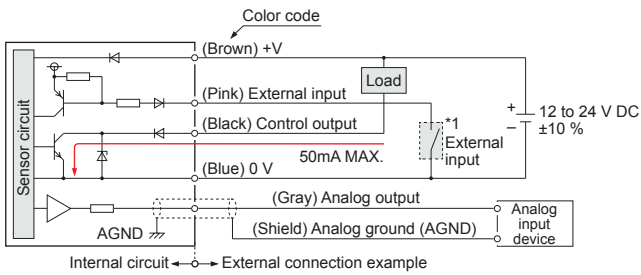
IO-Link compatible, High-level self-diagnostic type HG-C1000L series

Item	Model No.	Type	Measurement center 30 mm 1.181 in type	Measurement center 50 mm 1.969 in type	Measurement center 100 mm 3.937 in type	Measurement center 200 mm 7.874 in type	Measurement center 400 mm 15.748 in type
		Discrete wire	HG-C1030L3-P	HG-C1050L3-P	HG-C1100L3-P	HG-C1200L3-P	HG-C1400L3-P
		M12 connector	HG-C1030L3-P-J	HG-C1050L3-P-J	HG-C1100L3-P-J	HG-C1200L3-P-J	HG-C1400L3-P-J
Regulatory compliance and certification			EMC Directive, RoHS Directive, FDA Regulations, UL/c-UL Certification				
Measurement center distance			30 mm 1.181 in	50 mm 1.969 in	100 mm 3.937 in	200 mm 7.874 in	400 mm 15.748 in
Measurement range			±5 mm 0.197 in	±15 mm 0.591 in	±35 mm 1.328 in	±80 mm 3.150 in	±200 mm 7.874 in
Repeatability			10 μm 0.394 mil	30 μm 1.181 mil	70 μm 2.756 mil	200 μm 7.874 mil	300 μm 11.811 mil (Measuring distance 200 to 400 mm 7.874 to 15.748 in) 800 μm 31.496 mil (Measuring distance 400 to 600 mm 15.748 to 23.622 in)
Linearity			±0.1 % F.S.			±0.2 % F.S.	±0.2 % F.S. (Measuring distance 200 to 400 mm 7.874 to 15.748 in) ±0.3 % F.S. (Measuring distance 400 to 600 mm 15.748 to 23.622 in)
Temperature characteristic			0.03 % F.S./°C				
Light source			Red semiconductor laser Class 2 [IEC / JIS / GB / FDA (Note 2)] Max. output: 1 mW, emission peak wavelength: 655 nm 0.026 mil				
Beam diameter (Note 3)			ø50 μm 1.969 mil approx.	ø70 μm 2.756 mil approx.	ø120 μm 4.724 mil approx.	ø300 μm 11.811 mil approx.	ø500 μm 19.685 mil approx.
Supply voltage			24 V DC ±10 % Ripple P-P 10 %				
Power consumption			40 mA or less (at 24 V DC supply voltage)				
Communication output (C/Q) (Note 4)		IO-Link communication	IO-Link Specification V1.1				
		Baud rate	COM3 (230.4 kbps)				
		Process data	4 byte				
		Minimum cycle time	1.0 ms				
Control output (DO)		PNP open-collector transistor <ul style="list-style-type: none"> • Maximum source current: 50 mA • Applied voltage: 30 V DC or less (Between control output to +V) • Residual voltage: 1.5 V or less (at 50 mA source current) • Leakage current: 0.1 mA or less 					
Output operation		Switchable between either Light-ON or Dark-ON					
Short-circuit protection		Incorporated (auto reset type)					
Response time			Switchable between 1.5 ms / 5 ms / 10 ms				
Pollution degree			2				
Ambient altitude			2,000 m 6561.680 ft or less				
Environmental resistance	Protection		IP67 (IEC)				
	Ambient temperature		-10 to +45 °C -14 to 113 °F (No dew condensation or icing allowed), Storage: -20 to +60 °C -4 to 140 °F				
	Ambient humidity		35 to 85 % RH, Storage: 35 to 85 % RH				
	Ambient illuminance		Incandescent light: 3,000 lx or less at the light-receiving face				
	Vibration resistance		10 to 55 Hz (period: 1 min.) frequency, 1.5 mm 0.059 in double amplitude in X, Y and Z directions for two hours each				
	Shock resistance		500 m/s ² acceleration (50 G approx.) in X, Y and Z directions three times each				
Cable			Discrete wire type: 0.2 mm ² 4-core PVC cable, 2 m 6.562 ft long M12 connector type: 0.2 mm ² 4-core PVC cable with connector, 0.3 m 0.984 ft long				
Cable extension			Extension up to total 20 m 65.617 ft is possible with 0.3 mm ² , or more, cable.				
Material			Enclosure: Aluminum die-cast, Front cover: Acrylic				
Weight			Discrete wire type: 30 g approx. (without cable), 80 g approx. (including cable) M12 connector type: 30 g approx. (without cable), 50 g approx. (including cable)				

- Notes: 1) Supply voltage: 24 V DC, ambient temperature: +20 °C **+68 °F**, response time: 10 ms, and analog output value of measurement center distance are used for unspecified measurement conditions. The subject is white ceramics.
 2) This product complies with 21 CFR 1040.10 and 1040.11 Laser Notice No. 50, dated June 24, 2007, issued by CDRH (Center for Devices and Radiological Health) under the FDA (Food and Drug Administration).
 3) This is the size in the measurement center distance. These values were defined by using 1/e² (13.5 % approx.) of the center light intensity. Due to leak light outside the specified area, the reflectance around the detecting point may be higher than at the point and this may affect the measurement value.
 4) When the sensor is used as an ordinary sensor, the communication output (C/Q) provides the same output operation as the control output (DO).

I/O CIRCUIT AND WIRING DIAGRAMS

HG-C1□0 NPN output type

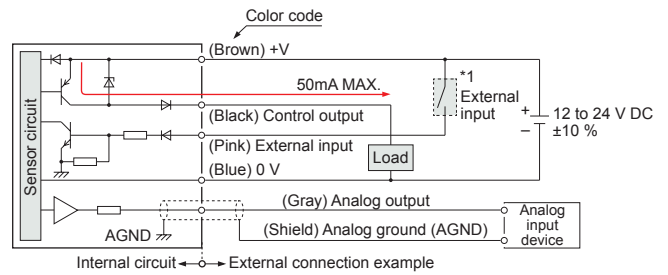


*1

Non-voltage contact or NPN open-collector transistor

External input
Invalid: +8 V to +V DC or open
Valid: 0 to +1.2 V DC

HG-C1□0-P PNP output type



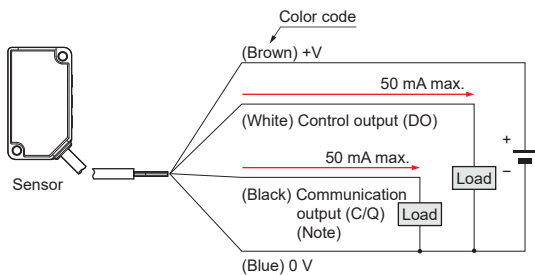
*1

Non-voltage contact or PNP open-collector transistor

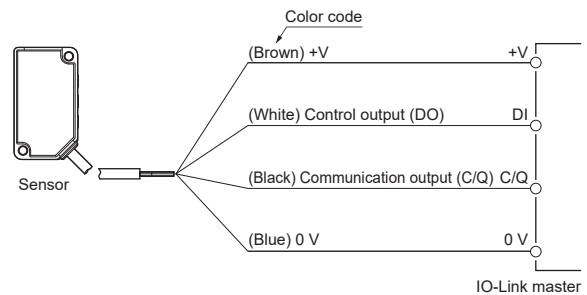
External input
Invalid: 0 to +0.6 V DC or open
Valid: +4 V to +V DC

HG-C□L3-P IO-Link compatible, High-level self-diagnostic, Discrete wire type

<When using as an ordinary sensor>



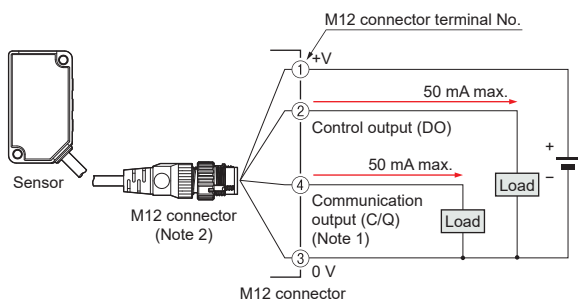
<When connecting to the IO-Link master>



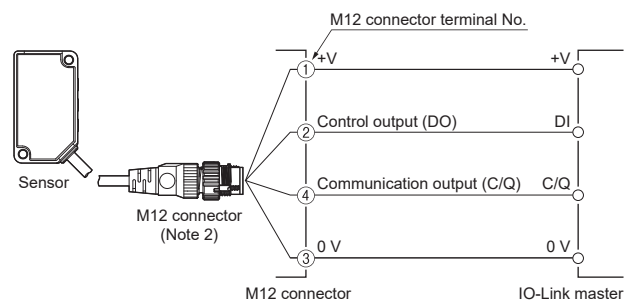
Note: When the sensor is used as an ordinary sensor, the communication output (C/Q) provides the same output operation as the control output (DO).

HG-C□L3-P-J IO-Link compatible, High-level self-diagnostic, M12 connector type

<When using as an ordinary sensor>

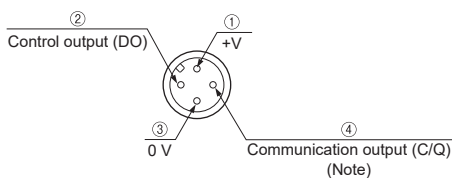


<When connecting to the IO-Link master>



Notes: 1) When the sensor is used as an ordinary sensor, the communication output (C/Q) provides the same output operation as the control output (DO).
2) When wiring with the discrete wire or extending the cable from the M12 connector, separately prepare commercially available M12 connector cable.

M12 connector terminal arrangement diagram

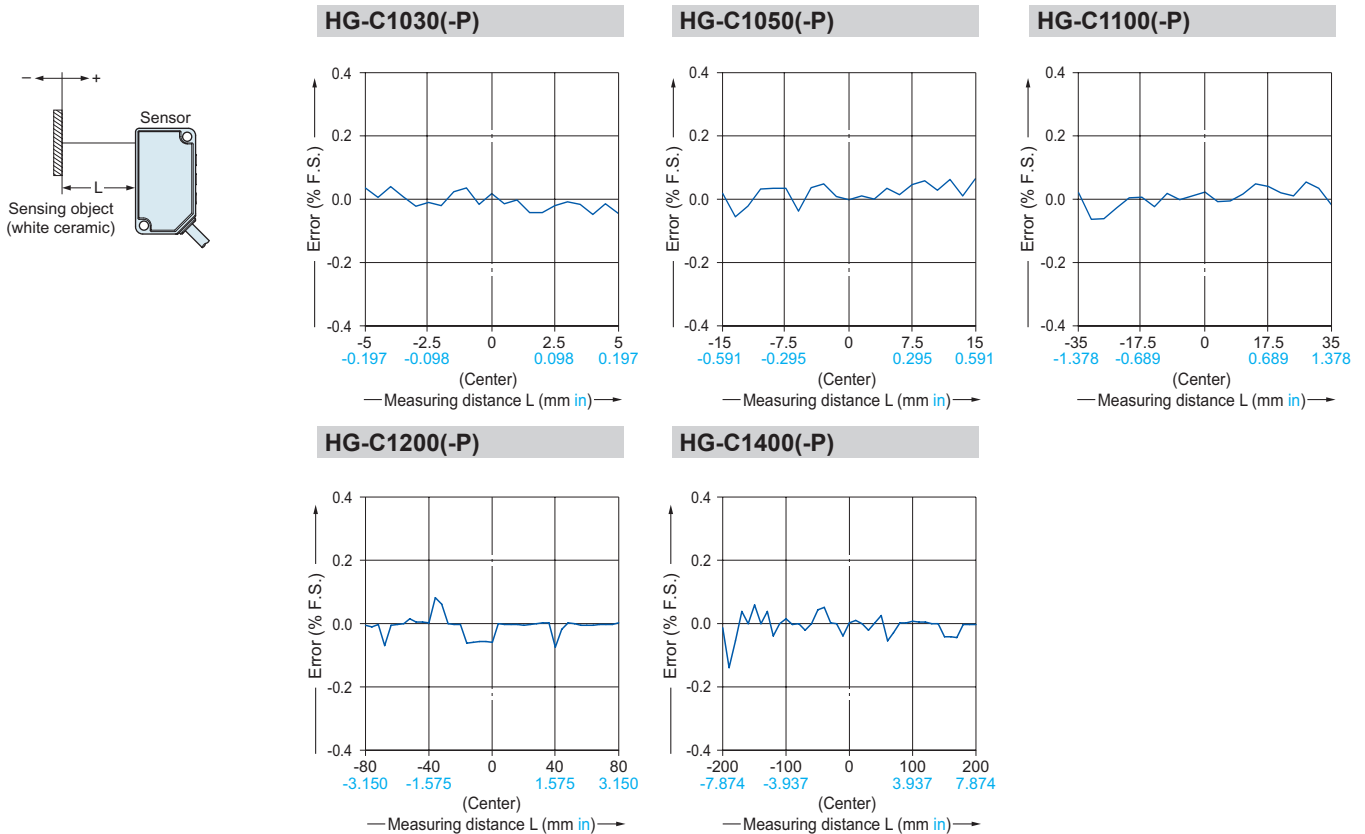


Terminal No.	Designation
①	+V
②	Control output (DO)
③	0 V
④	Communication output (C/Q) (Note)

Note: When the sensor is used as an ordinary sensor, the communication output (C/Q) provides the same output operation as the control output (DO).

SENSING CHARACTERISTICS (TYPICAL)

Linearity



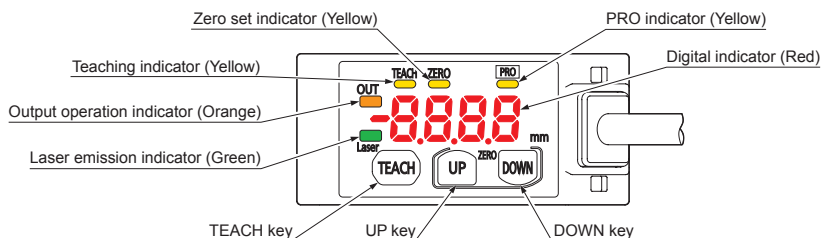
PRECAUTIONS FOR PROPER USE

- This catalog is a guide to select a suitable product. Be sure to read instruction manual attached to the product prior to its use.
- Never use this product as a sensing device for personnel protection.
- In case of using sensing devices for personnel protection, use products which meet laws and standards, such as OSHA, ANSI or IEC etc., for personnel protection applicable in each region or country.
- Do not operate products using methods other than the ones described in the instruction manual included with each product. Control or adjustment through procedures other than the ones specified may cause hazardous laser radiation exposure.

- This product is classified as a Class 2 Laser Product under JIS / IEC / GB standards and FDA * regulations. Do not look at the laser beam directly or through an optical system such as a lens.
- The warning label (English) is attached to the product. Handle the product according to the instruction given on the warning label. (The warning labels in Japanese and Chinese are packed with the sensor.)

*This product complies with 21 CFR 1040.10 and 1040.11 Laser Notice No. 50, dated June 24, 2007, issued by CDRH (Center for Devices and Radiological Health) under the FDA (Food and Drug Administration).

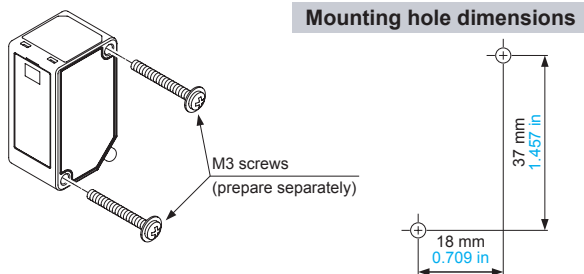
Part description



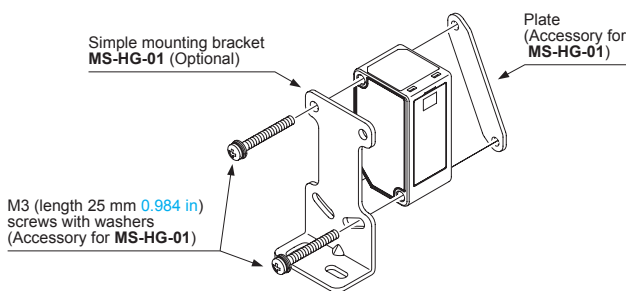
PRECAUTIONS FOR PROPER USE

Mounting

- When mounting this product, use M3 screws. The tightening torque should be 0.5 N·m. Please prepare M3 screws separately.



- When mounting the simple mounting bracket (optional) on this product, the tightening torque should be 0.5 N·m or less.



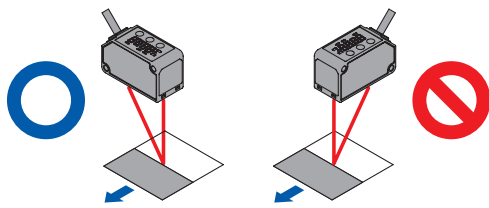
Note: Due to the simple mounting bracket, the sensing characteristics may not be hold depending on the installation condition, in case of the purposes for acquiring the displacement data and a fine detecting.

Mounting direction

Direction to a movable body

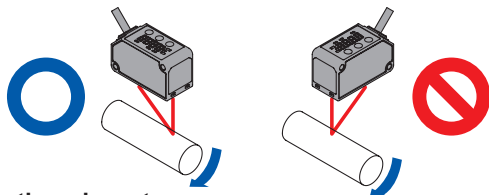
<When there are differences in material and color>

- When performing measurements of moving objects with excessively different materials and colors, mount the product per the following directions to minimize measurement errors.



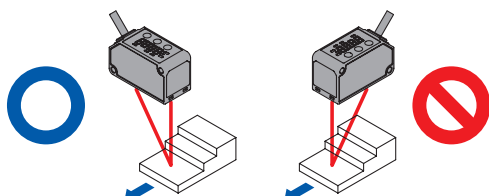
<Measurement of rotating objects>

- When measuring rotating objects, mount the product as follows. Measurement can be performed with minimized effect on the object caused by up / down deflection, position deviation and etc.



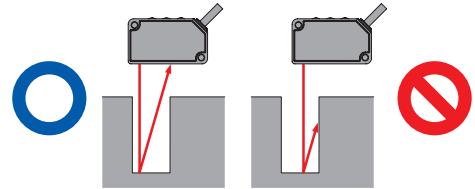
<When there is a step>

- When there is a step in the moving object, mount the product as follows. Measurement can be performed with minimized effect from the edges of the steps.



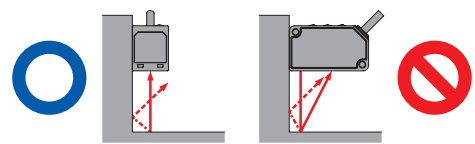
Measuring of narrow locations and recesses

- When measuring in narrow locations or inside holes, mount the product so that optical path from the light-emitting part to light-receiving part is not interrupted.



When mounting the product on a wall

- Mount the product as follows, so that the multiple light reflections on the wall do not emit to the light-receiving part. When the reflection factor on a wall is high, it is effective to use a dull black color.



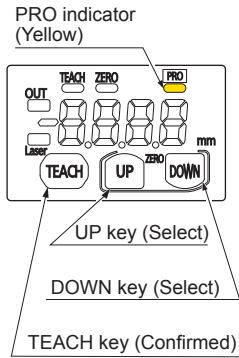
Others

- This product has been developed / produced for industrial use only.
- Make sure that the power supply is OFF before starting the wiring.
- If the wiring is performed incorrectly, it will cause a failure.
- Do not run the wires together with high-voltage lines or power lines, or put them in the same raceway. This can cause malfunction due to induction.
- Verify that the supply voltage variation is within the rating.
- If power is supplied from a commercial switching regulator, ensure that the frame ground (F.G.) terminal of the power supply is connected to an actual ground.
- If noise generating devices (switching regulators, inverter motors, etc.) are used around the sensor mounting area, make sure to connect the frame ground (FG) terminal of the device.
- Do not use this product during the transient state when the power supply is turned ON.
- The overall length of the cable can be extended to 10 m (32.808 ft) maximum (HG-C1000L series: 20 m (65.617 ft) maximum) with a cable size of 0.3 mm² or more.
- Make sure that stress by forcible bend or pulling is not applied to the sensor cable joint.
- Although it depends on the type, light from rapid start type or high frequency lighting type fluorescent lights, sunlight and etc. may affect the sensing, therefore make sure to prevent direct incident light.
- This product is suitable for indoor use only.
- Keep water, oil, fingerprints and etc. which reflect light, or dust, particles or etc. which interrupts the light, away from the emitting / receiving surfaces of this product. If contaminants adhere to the surface, wipe off with a dust-free soft cloth, or lens cleaning paper.
- Do not use the sensor in locations where there is excessive vapor, dust or etc. or in an atmosphere where corrosive gases, etc. is generated.
- Take care that the product does not come in contact with oil, grease, organic solvents such as thinner, etc., strong acid or alkaline.
- Make sure to turn OFF the power supply, before cleaning the light emitting / receiving windows of the sensor head.
- There is a certain deviation in the directionality of this product. Install the product using a mounting bracket or similar fitting to allow the adjustment of optical axis.
- The internal memory (nonvolatile) of this product has a service life. Settings cannot be configured more than 100,000 times.

PRECAUTIONS FOR PROPER USE

PRO mode setting

Part description



Item	Default setting	Description
Response time setting	Hr50	Set the response time. "Hr50": High precision 10 ms, "Std": Standard 5 ms, "FASh": High speed 1.5 ms
Output operation setting	L-on	Select the control output operation mode. "L-on": Light-ON, "d-on": Dark-ON
Sensing output setting	--F	Set the sensing output. "--F": Normal sensing mode "A.1": 1-point teaching (Window comparator mode) "A.2": 2-point teaching (Window comparator mode) "A.3": 3-point teaching (Window comparator mode) "d.F": Rising differential mode "d.L": Trailing differential mode
Analog output setting [excluding HG-C1000L series]	volt	Set the output operation of analog output setting. "volt": Analog voltage output (0 to +5 V) "curr": Analog current output (4 to 20 mA)
Hysteresis setting	<HG-C1030□> 0010 <HG-C1050□> 003 <HG-C1100□> 007 <HG-C1200□> 02 <HG-C1400□> 08	Set the hysteresis width. HG-C1030□: 0.001 to 5.00 mm 0.00004 to 0.197 in HG-C1050□: 0.01 to 15.00 mm 0.00039 to 0.591 in HG-C1100□: 0.02 to 35.00 mm 0.00079 to 1.378 in HG-C1200□: 0.1 to 80.0 mm 0.00394 to 3.150 in HG-C1400□: 0.2 to 200.0 mm 0.00787 to 7.874 in
External input setting [excluding HG-C1000L series]	0Set	Set the external input. "0Set": Zero set function, "Teach": Teaching function "L-off": Light emitting stop function, "Trig": Trigger function
Shift amount setting [for HG-C1000L series only]	<HG-C1030L3-P□> 0020 <HG-C1050L3-P□> 006 <HG-C1100L3-P□> 0.14 <HG-C1200L3-P□> 04 <HG-C1400L3-P□> 15	Set the shift amount for the threshold value when using limit teaching. Be sure to set the shift amount to a value twice the hysteresis setting value or higher. HG-C1030L3-P□: 0.002 to 10.00 mm 0.00008 in to 0.394 in HG-C1050L3-P□: 0.02 to 30.00 mm 0.00079 in to 1.181 in HG-C1100L3-P□: 0.04 to 70.00 mm 0.00157 in to 2.756 in HG-C1200L3-P□: 0.2 to 160.0 mm 0.00787 in to 6.299 in HG-C1400L3-P□: 0.4 to 400.0 mm 0.01575 in to 15.748 in
Timer setting	non	Set the timer operation. The timer time is fixed at 5ms. "non": No timer, "offd": OFF-delay timer "onnd": ON-delay timer, "asnd": One-shot timer
Timer period setting [for HG-C1000L series only]	5	Set the timer period when the timer setting is set to "off-delay timer," "on-delay timer" or "one-shot timer." "5": 5 ms, "10": 10 ms, "25": 25 ms, "50": 50 ms, "100": 100 ms, "250": 250 ms, "500": 500 ms, "1000": 1,000 ms, "5000": 5,000 ms
Display setting	Std	The display of the measured value can be changed. "Std": Normal, "Invt": Invert, "offst": Offset
Hold setting	off	Set the control output and the analogue output operation when a measurement error occurs (insufficient light intensity, saturation of light intensity, out of measurement range). "off": Hold OFF, "on": Hold ON
ECO setting	off	The digital display can be set to go OFF when key operation is not performed for 30 seconds. Current consumption can be reduced. "off": ECO OFF, "on": ECO ON
Reset setting	no	Return to the default setting (factory setting). "no": Reset NG, "YES": Reset OK

PRECAUTIONS FOR PROPER USE

Error indication

- In case of errors, attempt the following measures.

Error indication	Description	Remedy
<Hold OFF> ----- <Hold ON> Measured value blinks	Insufficient amount of reflected light. The sensing object is out of the sensing range.	Confirm that the sensing distance is within the specification range. Adjust the installation angle of the sensor.
Er01	Nonvolatile memory is damaged or is past its life expectancy.	Please contact our office.
Er11	Load of the sensing output is short-circuited causing an over-current to flow.	Turn OFF the power and check the load.
Er21	The semiconductor laser is damaged or is past its life expectancy.	Please contact our office.
Er31	<ul style="list-style-type: none"> • When zero set is set, the measurement is not performed normally. • Since the display setting is set to "Offset", the zero set function can not be used. 	<ul style="list-style-type: none"> • Confirm that the sensing distance is within the specification range. • Set the display to any setting except "Offset."
Er41	During teaching, the measurement is not performed normally.	Confirm that the sensing distance is within the specification range.
Er90 Er91 Er92 Er93	System error	Please contact our office.

Event function (HG-C1000L series)

Error indication	Event code	Error level	State
Er11	0x7710	Fault	DO output short-circuit
Er90 Er91 Er92 Er93	0x1815	Fault	System error
Er01	0x1802	Fault	Nonvolatile memory write error
Er01	0x1803	Fault	Nonvolatile memory CRC error
Er21	0x1810	Fault	Light emission circuit damage
Er31	0x8CB0	Normal	Zero set not possible
Er41	0x8CB2	Normal	Teaching not possible
-----	0x8CA0	Normal	Measurement error (center of gravity computation failure) * Measured value: Transmission of 32764
-----	0x8CA1	Normal	Measurement error (out of specification range, near point side) * Measured value: Transmission of 32000
-----	0x8CA2	Normal	Measurement error (out of specification range, far point side) * Measured value: Transmission of -32000
Display of measured value	0x8CA3	Normal	Low incident light intensity
Display of measured value	0x8D00	Caution	Operating time exceeded
Display of measured value	0x8D01	Caution	Max. number of the nonvolatile memory save operations exceeded

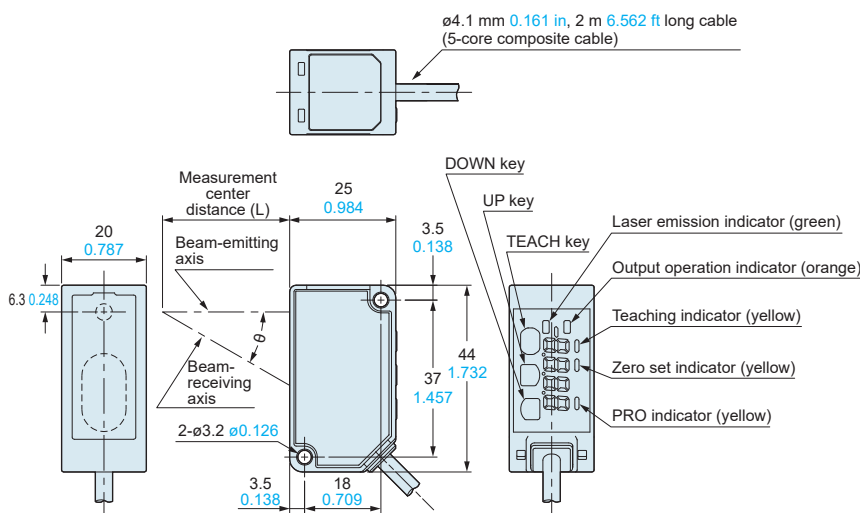
Information notification

DIMENSIONS (Unit: mm in)

CAD data can be downloaded from our website.

HG-C1□0 HG-C1□0-P

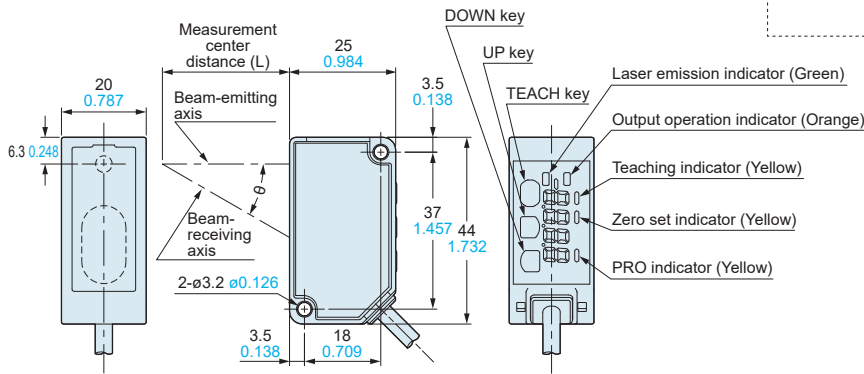
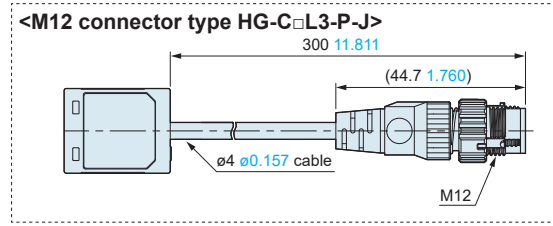
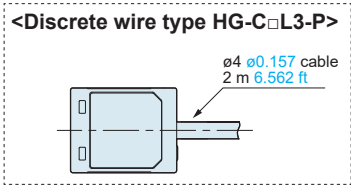
Sensor



Model No.	Measurement center distance (L)	θ
HG-C1030(-P)	30 1.181	30°
HG-C1050(-P)	50 1.969	22.5°
HG-C1100(-P)	100 3.937	12.5°
HG-C1200(-P)	200 7.874	6.3°
HG-C1400(-P)	400 15.748	3.2°

HG-C□L3-P HG-C□L3-P-J

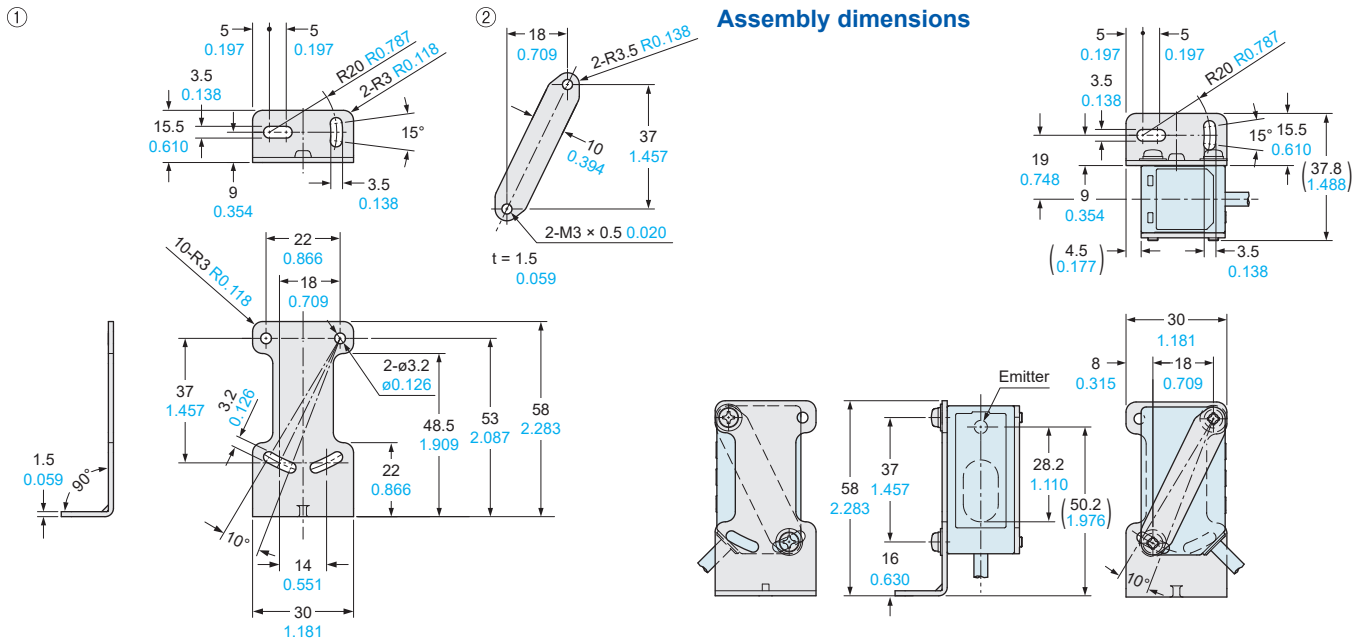
Sensor



Model No.	Measurement center distance (L)	θ
HG-C1030L3-P(-J)	30 1.181	30°
HG-C1050L3-P(-J)	50 1.969	22.5°
HG-C1100L3-P(-J)	100 3.937	12.5°
HG-C1200L3-P(-J)	200 7.874	6.3°
HG-C1400L3-P(-J)	400 15.748	3.2°

MS-HG-01

Simple mounting bracket (Optional)



Material: Stainless steel (SUS304)
Two M3 (length 25 mm 0.984 in) screws with washers (SPCC) are attached.

Please contact

Panasonic Corporation

Industrial Device Business Division
■ 1006, Oaza Kadoma, Kadoma-shi, Osaka 571-8506, Japan
industrial.panasonic.com/ac/e/

Panasonic®

©Panasonic Corporation 2019