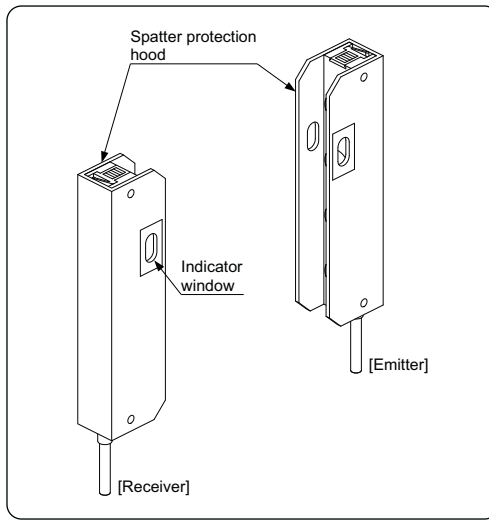


40mm Beam Pitch
Spatter Protection Hood Type
NA40-□-H

CIMJE-NA40H No. 0037-32V

This product uses the **NA40-□** series protection hood as a spatter protection hood. This hood protects the emitting / receiving surface from welding spatter.

- Since the specifications and connections, etc. are the same as for the **NA40-□** series, refer to the instruction manual for the **NA40-□** series.
- As the dimensions differ from the **NA40-□** series, refer to this manual.

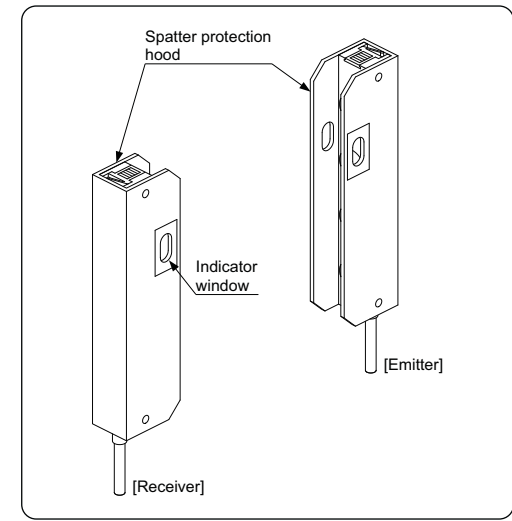


40mm Beam Pitch
Spatter Protection Hood Type
NA40-□-H

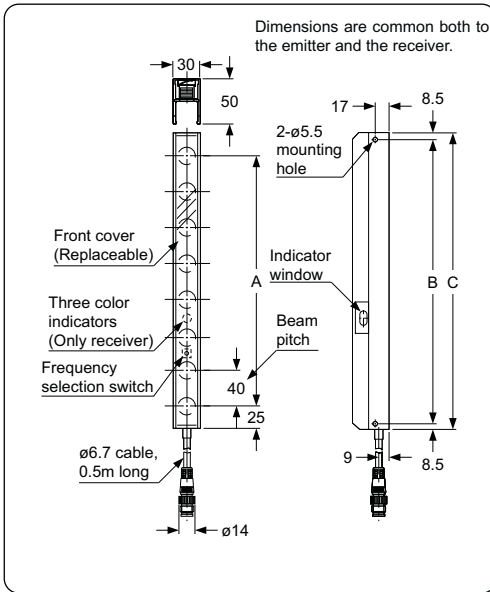
CIMJE-NA40H No. 0037-32V

This product uses the **NA40-□** series protection hood as a spatter protection hood. This hood protects the emitting / receiving surface from welding spatter.

- Since the specifications and connections, etc. are the same as for the **NA40-□** series, refer to the instruction manual for the **NA40-□** series.
- As the dimensions differ from the **NA40-□** series, refer to this manual.

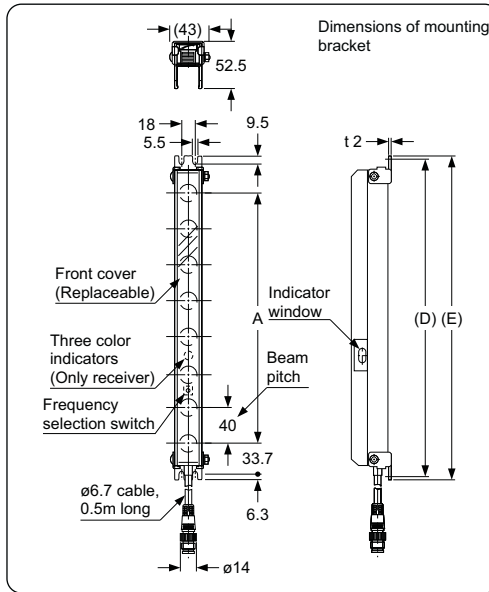


DIMENSIONS (Unit: mm)



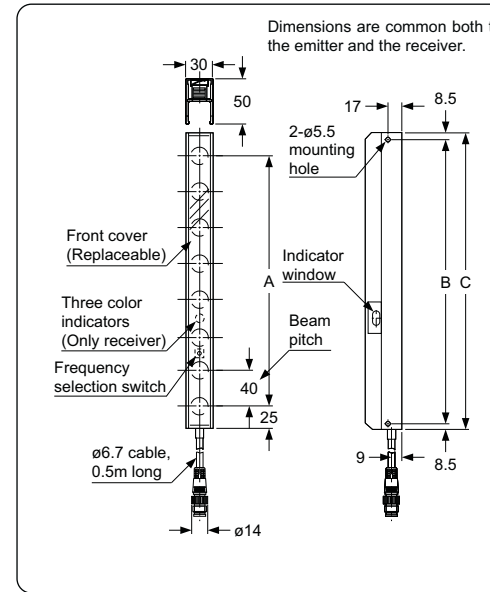
• Dimensions of symbols

Symbol Model No.	A	B	C	D	E
NA40-4-H	120	163	180	200	210
NA40-6-H	200	233	250	270	280
NA40-8-H	280	313	330	350	360
NA40-10-H	360	393	410	430	440
NA40-12-H	440	473	490	510	520
NA40-14-H	520	553	570	590	600
NA40-16-H	600	633	650	670	680
NA40-20-H	760	793	810	830	840
NA40-24-H	920	953	970	990	1,000



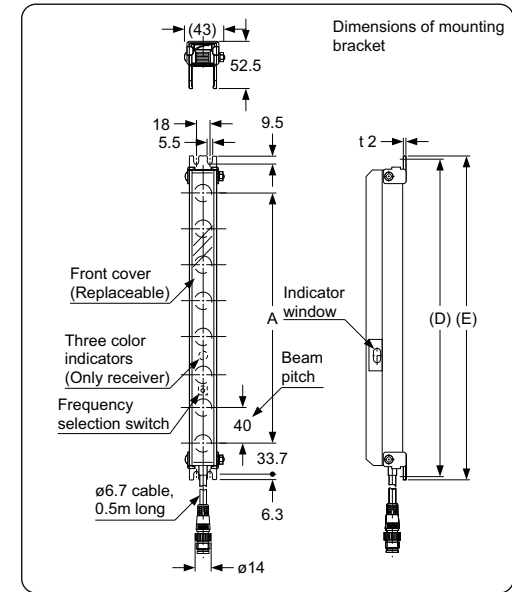
Panasonic Industrial Devices SUNX Co., Ltd.
<http://panasonic.net/id/pidsx/global>
Overseas Sales Division (Head Office)
 2431-1 Ushiyama-cho, Kasugai-shi, Aichi, 486-0901, Japan
 Phone: +81-568-33-7861 FAX: +81-568-33-8591
 About our sale network, please visit our website.
 © Panasonic Industrial Devices SUNX Co., Ltd. 2012
 PRINTED IN JAPAN

DIMENSIONS (Unit: mm)



• Dimensions of symbols

Symbol Model No.	A	B	C	D	E
NA40-4-H	120	163	180	200	210
NA40-6-H	200	233	250	270	280
NA40-8-H	280	313	330	350	360
NA40-10-H	360	393	410	430	440
NA40-12-H	440	473	490	510	520
NA40-14-H	520	553	570	590	600
NA40-16-H	600	633	650	670	680
NA40-20-H	760	793	810	830	840
NA40-24-H	920	953	970	990	1,000



Panasonic Industrial Devices SUNX Co., Ltd.
<http://panasonic.net/id/pidsx/global>
Overseas Sales Division (Head Office)
 2431-1 Ushiyama-cho, Kasugai-shi, Aichi, 486-0901, Japan
 Phone: +81-568-33-7861 FAX: +81-568-33-8591
 About our sale network, please visit our website.
 © Panasonic Industrial Devices SUNX Co., Ltd. 2012
 PRINTED IN JAPAN