



MEDIUM GEAR MOTOR



DESIGNATION

MODEL NAME

GH 22 400W 30 S B G1 LB HO

1 2 3 4 5 6 7 8 9

1 Model Code

- GH** Horizontal Installation Gear Reducer Motor
- GV** Vertical Installation Gear Reducer Motor
- GHM** Horizontal Installation Straight Gear Reducer Motor
- GVM** Vertical Installation Straight Gear Reducer Motor
- GHD** Horizontal Installation Biax Gear Reducer Motor
- GVD** Vertical Installation Biax Gear Reducer Motor

2 Output shaft

18、22、28、32……

3 Capacity

100W-7500W

4 Ratio: 3、5、10、……1800

5 Motor

S: 220V、380V/50、60HZ-3-PHASE
 A: 110V、220V/50、60HZ-Single PHASE

6 Brake unit

B: BRAKE UNIT
 AB: WITH RELEASE BRAKE UNIT
 D: DC24V DC24V BRAKE

7 Look to the direction of the distributing box depending on the output shaft

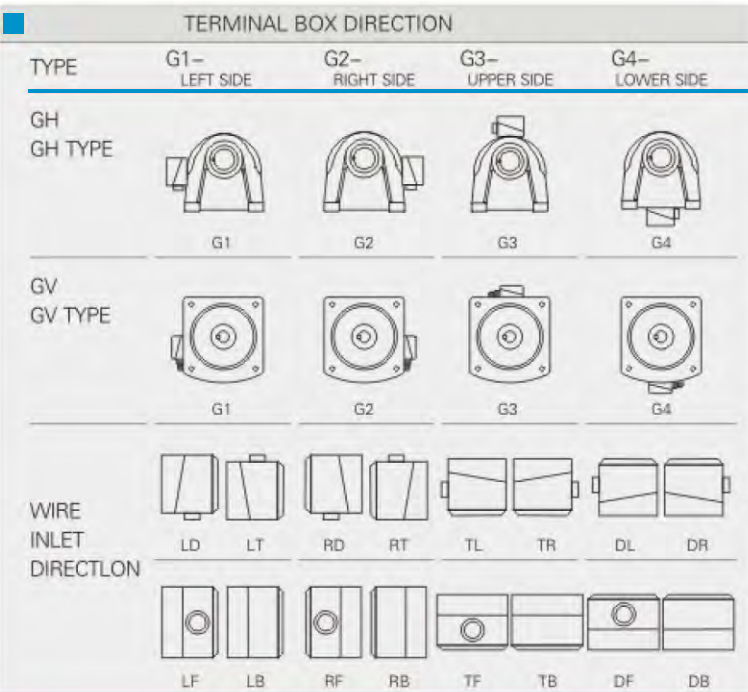
G1: LEFT (STD) G2: RIGHT
 G3: UPPER G4: LEOWR

8 Wire inlet

T: TOP B: BACK D: DOWN
 L: LEFT F: FORWARD R: RIGHT

9 Breatharie plug is mounted position of the selected

GH		GV	
GH MODEL INSTALLATION LOCATION		GV MODEL INSTALLATION LOCATION	
HO	H3	V0	V3 90°
H6	H9	V6 180°	V9 90°
HU	HD	V11	V0



MOTOR SPECIFICATION

STANDARD MOTOR SPECIFICATION						
ITEM	3-PHASE MOTOR			SINGLE PHASE MOTOR		
PROTECTION	IP54 TOTALLY ENCLOSED FAN COOLED TYPE			SEMI-ENCLOSED FAN COOLED TYPE		
SHELL MATERIAL	0.1-7.5KW	ALUMINUM		0.1-2.2KW	ALUM ALLOY	
STARTING	DIRECT STARTING			0.1-0.2KW	CAPACITOR	
				0.4-0.75KW	STARTING CAPACITOR ACTIVATED+ELECTRONIC CENTRIFUGAL SWITCH	
				1.5-2.2KW	STARTING CAPACITOR RUNNING CAPACITOR+ELECTRONIC CENTRIFUGAL SWITCH	
TIMA RATING	CONTINUOUS OPERATION					
INSULATION	F					
ENVIRONMENT	-10°C~+40°C (TEMPERATURE: -10°C~+40°C)			≤90% (HUMIDITY: ≤90%)		
VOLTAGE	50HZ	220V,230V,240V,380V,400V,415V,440V		50HZ	110V,115V,200V,220V,230V	
	60HZ	220V,240V,380V,415V,440V,460V,480V,600V		60HZ	110V,220V,240V	
POLE	4P					
(4P)OUTPUT SPEED(4P)	50HZ	1360-1430RPM		50HZ	1340-1400RPM	
	60HZ	1640-1740RPM		60HZ	1610-1720RPM	
STANDARD	IEC-34,CNS-10919ACCORDING TO IEC-34,CNS-10919					
ALTITUDE	≤1000m					
TERMINAL BOX	IP55 ACCORDING TO THE CUSTOMER REQUEST FOR USE, HAVE GRADE ALUMINUM BOX OF GRADE IP55, WATERTPROOF MODEL TERMINAL BOX AND STAINLESS STEEL TERMINAL BOX.					

SINGLE PHASE FULL LOAD CURRENT						
CAPACITY	50HZ			60HZ		
	110V	220V	RPM	110V	220V	RPM
100W	2.80	1.40	1410	2.40	1.20	1720
200W	3.60	1.80	1410	3.00	1.50	1720
400W	9.80	4.90	1420	7.80	3.90	1730
750W	18.2	9.10	1420	12.9	6.40	1730
1500W	26.0	13.0	1430	23.4	11.7	1740
2200W	36.0	18.0	1430	30.0	15.0	1740

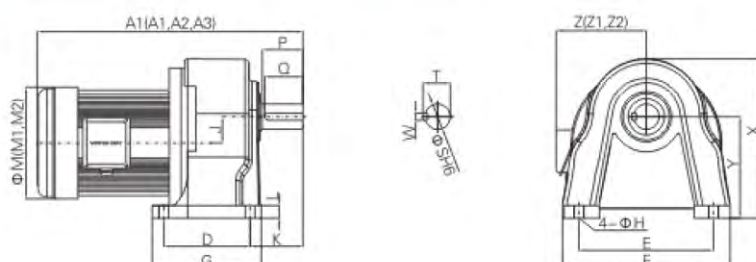
SINGLE PHASE MOTOR CURRENT			
CAPACITY	SINGLE-CAPACITOR TYPE	DOUBLE-CAPACITOR TYPE	
		STARTING CAPACITOR	RUNNING CAPACITOR
75W	8 μ F	-	-
100W	12 μ F-16 μ F	-	-
200W	14 μ F-20 μ F	-	-
400W	200 μ F	200 μ F	20 μ F
750W	400 μ F	400 μ F	40 μ F
1500W	-	400 μ F	40 μ F
2200W	-	500 μ F	50 μ F

GH

HORIZONTAL SINGLE-PHASE THREE-PHASE, ALUMINUM SHELL (BRAKE) GEAR REDUCER MOTORS

HP-4P	GEAR RATIO	CODE	TYPE	A1	A2	A3	D	E	F	G	H	L	J	K	M1	M2	X	Y	Z1	Z2	KG
100W 1/8HP	3-50	1#	18	253	273	257	40	110	135	65	9	10	16	45	127	127	132	88.5	116	116	5.3
	60-200	2#	22	287	307	291	65	130	163	90	11	15	18.2	56	127	127	152	97.5	116	116	6.9
200W 1/4HP	3-10	1#	18	273	293	277	40	110	135	65	9	10	16	45	127	127	132	88.5	116	116	6.7
	15-90	2#	22	307	327	311	65	130	163	90	11	15	18.2	56	127	127	152	97.5	116	116	8.6
	100-200	3#	28	333	353	337	90	140	180	122	11	15	20.8	65	127	127	180	116	116	116	11
400W 1/2HP	3-10	2#	22	327	346	331	65	130	163	90	11	15	18.2	56	127	159	152	97.5	116	133	11
	15-90	3#	28	353	372	357	90	140	180	122	11	15	20.8	65	127	159	180	116	116	133	14
	100-200	4#	32	388	407	392	130	170	215	160	13	25	30.2	76	127	159	210	138.5	116	133	19.6
750W 1HP	3-25	3#	28	382	415	382	90	140	180	122	11	15	20.8	65	159	190	180	116	133	145	15
	30-120	4#	32	417	449	417	130	170	215	160	13	25	30.2	76	159	190	210	138.5	133	145	21.6
	130-200	5#	40	444	476	444	150	210	260	185	15	25	42.2	85	159	190	248	160	133	145	42
1500W 2HP	4-25	4#	32	449		470	130	170	215	160	13	25	30.2	76	190		210	138.5	145		27.6
	30-120	5#	40	476		497	150	210	260	185	15	25	42.2	85	190		248	160	145		47
	130-200	6#	50	517		538	170	265	330	220	19	30	51.7	104	190		315	200	145		52
2200W 3HP	3-60	5#	40	482		508	150	210	260	185	15	25	42.2	85	217		248	160	153		48
	70-200	6#	50	523		549	170	265	330	220	19	30	51.7	104	217		315	200	153		55
3700W 5HP	3-10	5#	40	498		524	150	210	260	185	15	25	42.2	85	217		248	160	153		50
	15-180	6#	50	539		565	170	265	330	220	19	30	51.7	104	217		315	200	153		57
5500W 7.5HP	5-10	8#	45	545		585	200	250	310	235	15	30	42.2	93	250		265	175	178		78
	11-30	8#	50	579		619	170	265	330	220	19	30	51.7	104	250		315	200	178		88
	31-60	8#	50	579		619	170	265	330	220	19	30	51.7	104	250		315	200	178		90
	61-100	8#	60	589		629	170	265	330	220	19	30	51.7	115	250		315	200	178		93
7500W 10HP	5-10	8#	50	619		659	170	265	330	220	19	30	51.7	104	250		315	200	178		99
	11-30	8#	60	629		669	170	265	330	220	19	30	51.7	115	250		315	200	178		103
	31-60	8#	60	629		669	170	265	330	220	19	30	51.7	115	250		315	200	178		110

OUTPUT SHAFT	SHAFT		KEYWAY			KEY
	Sh6	P	W	T	Q	SPEC
Φ18	30		5	20	25	5 × 5 × 25
Φ22	40		7	25	35	7 × 7 × 35
Φ28	45		7	31	40	7 × 7 × 40
Φ32	55		10	35.5	50	10 × 8 × 50
Φ40	65		10	43.5	60	10 × 8 × 60
Φ45	75		12	48.5	70	12 × 8 × 70
Φ50	80		14	54	75	14 × 9 × 75
Φ60	90		15	63.5	85	15 × 10 × 85



- A1, M1, Z1
- A2, M2, Z2
- A3
- A1, M1, Z1 are the sizes of three-phase motors.
- A2, M2, Z2 are the sizes of single-phase motors.
- A3 is the size of three-phase motors with brakes.



GV VERTICAL WITH SINGLE-PHASE THREE-PHASE, VERTICAL ALUMINUM SHELL(BRAKE)GEAR REDUCER MOTORS

HP-4P	GEAR RATIO	CODE	TYPE	A1	A2	A3	D	E	F	G	H	L	J	K	M1	M2	Y	Z1	Z2	KG
100W 1/8HP	3-50	1#	*18	253	273	257	50	140	120	120	9	12	16	38	127	127	5	116	116	5.3
	60-200	2#	22	287	307	291	148	185	170	156	11	12	18.2	49	127	127	3.5	116	116	6.9
	60-200	2#	*22	287	307	291	55	170	146	146	11	12	18.2	49	127	127	3.5	116	116	6.7
200W 1/4HP	3-10	1#	*18	273	293	277	50	140	120	120	9	12	16	38	127	127	5	116	116	6.9
	15-90	2#	22	307	327	331	148	185	170	156	11	12	18.2	49	127	127	3.5	116	116	8.6
	15-90	2#	*22	307	327	311	55	170	146	146	11	12	18.2	49	127	127	3.5	116	116	8.6
	100-200	3#	28	333	353	337	170	220	195	180	11	15	20.8	57	127	127	4	116	116	11
400W 1/2HP	3-10	2#	22	327	346	331	148	185	170	156	11	12	18.2	49	127	159	3.5	116	133	11
	3-10	2#	*22	327	346	331	55	170	146	146	11	12	18.2	49	127	127	3.5	116	133	11
	15-90	3#	28	353	372	357	170	220	195	180	11	15	20.8	57	127	159	4	116	133	14
	100-200	4#	32	388	407	392	185	255	237	215	13	17	30.2	67	127	159	4	116	133	19.4
750W 1HP	3-25	3#	28	382	415	382	170	220	195	180	11	15	20.8	57	159	190	4	133	145	15
	30-120	4#	32	417	449	417	185	255	237	215	13	17	30.2	67	159	190	4	133	145	21.4
	130-200	5#	40	444	476	444	230	310	300	275	15	20	42.2	79	159	190	5	133	145	42
1500W 2HP	4-25	4#	32	449		470	185	255	237	215	13	17	30.2	67	190		4	145		27.4
	30-120	5#	40	476		497	230	310	300	275	15	20	42.2	79	190		5	145		47
	130-200	6#	50	517		538	280	390	360	330	19	20	51.7	90	190		5	145		52
2200W 3HP	3-60	5#	40	482		508	230	310	300	275	15	20	42.2	79	217		5	153		48
	70-200	6#	50	523		549	280	390	360	330	19	20	51.7	90	217		5	153		55
3700W 5HP	3-10	5#	40	498		524	230	310	300	275	15	20	42.2	79	217		5	153		50
	15-180	6#	50	539		565	280	390	360	330	19	20	51.7	90	217		5	153		57

OUTPUT SHAFT	SHAFT		KEYWAY		KEY	
	Sh6	P	W	T	Q	SPEC
Φ18	30	5	20	25		5 × 5 × 25
Φ22	40	7	25	35		7 × 7 × 35
Φ28	45	7	31	40		7 × 7 × 40
Φ32	55	10	35.5	50		10 × 8 × 50
Φ40	65	10	43.5	60		10 × 8 × 60
Φ50	80	14	54	75		14 × 9 × 75

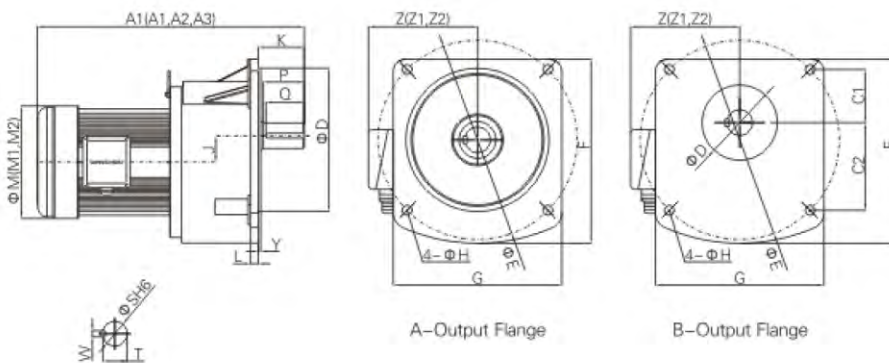
NOTE:

- 1 (18) C1 33.5, C2 65.5
1# Ontology (Models for 18)
C1 is 33.5, C2 is 65.5
- 2 (22) C1 40, C2 80
2# Ontology (Models for 22)
C1 is 40, C2 is 80



- A1、M1、Z1
- A2、M2、Z2
- A3
- A1、M1、Z1 are the sizes of three-phase motors.
- A2、M2、Z2 are the sizes of single-phase motors.
- A3 is the size of three-phase motors with brakes.

■ *Belong to B type output flange.

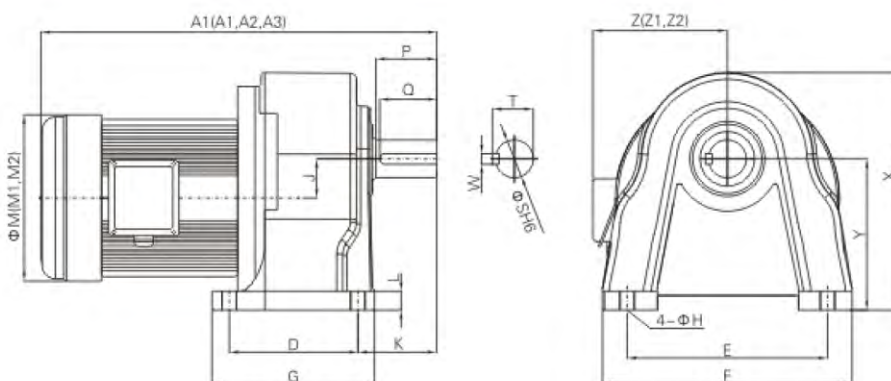


GH

HORIZONTAL WITH SINGLE-PHASE THREE-PHASE, ALUMINUM SHELL(BRAKE) SHRINK BOX TYPE GEAR REDUCER MOTORS

HP-4P	GEAR RATIO	CODE	TYPE	A1	A2	A3	D	E	F	G	H	L	J	K	M1	M2	X	Y	Z1	Z2	KG
100W 1/8HP	50-200	1#	18	253	273	257	40	110	135	65	9	10	16	45	127	127	132	88.5	116	116	5.3
	15-90	1#	18	273	293	277	40	110	135	65	9	10	16	45	127	127	132	88.5	116	116	5.3
	100-200	2#	22	307	327	311	65	130	163	90	11	15	18.2	56	127	127	152	97.5	116	116	6.9
200W 1/4HP	3-10	1#	18	293	310	297	40	110	135	65	9	10	16	45	127	159	132	88.5	116	133	6.7
	15-90	2#	22	327	346	331	65	130	163	90	11	15	18.2	56	127	159	152	97.5	116	133	8.6
	100-200	3#	28	353	372	357	90	140	180	122	11	15	20.8	65	127	159	180	116	116	133	11
400W 1/2HP	3-25	2#	22	356	390	356	65	130	163	90	11	15	18.2	56	159	190	152	97.5	133	145	11
	30-120	3#	28	382	414	382	90	140	180	122	11	15	20.8	65	159	190	180	116	133	145	14
	130-200	4#	32	417	449	417	130	170	215	160	13	25	30.2	76	159	190	210	138.5	133	145	19.6
750W 1HP	4-25	3#	28	415		436	90	140	180	122	11	15	20.8	65	190		180	116	145		15
	30-120	4#	32	449		470	130	170	215	160	13	25	30.2	76	190		210	138.5	145		21.6
	130-200	5#	40	476		497	150	210	260	185	15	25	42.2	85	190		248	160	145		42
1500W 2HP	3-60	4#	32	455		481	130	170	215	160	13	25	30.2	76	190		210	138.5	153		27.6
	70-200	5#	40	482		508	150	210	260	185	15	25	42.2	85	217		248	160	153		47
2200W 3HP	30-180	5#	40	498		524	150	210	260	185	15	25	42.2	85	217		248	160	153		52

OUTPUT SHAFT	SHAFT		KEYWAY			KEY
	Sh6	P	W	T	Q	SPEC
Φ18	30		5	20	25	5×5×25
Φ22	40		7	25	35	7×7×35
Φ28	45		7	31	40	7×7×40
Φ32	55		10	35.5	50	10×8×50
Φ40	65		10	43.5	60	10×8×60



- A1, M1, Z1
- A2, M2, Z2
- A3
- A1, M1, Z1 are the sizes of three-phase motors.
- A2, M2, Z2 are the sizes of single-phase motors.
- A3 is the size of three-phase motors with brakes.

■ Please select the gear reducer motors of standard box number; if a gear reducer motor of shrunk box should be selected for a specific reason, the load must be lower than the normal load.



● HEAD OFFICE
● BRANCH OFFICE

This map of INDIA does not reflect accurate boundaries. It is only for illustration purpose.



Lubi Electronics

Sardar Patel Ring Road, Nr. Karai Gam Patia, Nana Chiloda, Dist. : Gandhinagar - 382 330.
 Tel. : +91-79-6674 5300 • Fax : +91-79-6674 5599
 E-mail : info@lubielectronics.com • Website : www.lubielectronics.com, www.lubisolar.com

BRANCH OFFICE

VAPI
 104-A, Platinum Mall, Plot No. Cm/13, Opp. V.I.A. Ground,
 G.I.D.C. Vapi - 396 195. District : Valsad, Gujarat. INDIA
 Tel. : + 91 - 260 - 2425 307

MUMBAI
 405, Sangeet Plaza, Opp. Marol Fire Brigade, Marol Maroshi Road,
 Andheri (E), MUMBAI - 400 059.
 Tel. : + 91 - 22 - 6704 2570 / 2925 7315

PUNE
 Breman Business Center, Off. No.301, Nr. City International School,
 Opp. Breman Square, University Road, Aundh Pune - 411 007.
 Tel. : + 91 - 20 - 2588 0583

DELHI
 202, 2th Floor, Ajit Singh House, 12, Commercial Complex,
 Yusuf Sarai, New Delhi. 110 049.
 Tel. : + 91-11-4608 5120

LUDHIANA
 BXX1/14436, Nr. Dada Motors, Besides HDFC Bank,
 Kalsinagar, G.T.Road, Ludhiana - 141 003.
 Tel. : + 91 - 161 - 2535 342

BANGALORE
 "Sri Chakra" #30/25/1, 1st Floor, New Ring Road,
 Malagala, 2nd Stage, Nagarabavi, Bangalore-560072, Karnataka.
 Tel. : + 91 - 078150 18411

CHENNAI
 #3, 1st Floor, Vishalakshi Street, Balavinayagar Nagar,
 Arumbakkam, Chennai - 600 106.
 Tel. : + 91 - 44 - 6459 8855 • Fax : + 91 - 44 - 4355 6630

COIMBATORE
 SF 489/2 Thiru Nagar 3rd Street,
 Selvapuram By-Pass Road, Coimbatore - 641026.
 Tel. : + 91-422-6555 886 • Service No. : +91 - 422 - 2340 111

HYDERABAD
 Shed No. - 21, Phase - 1, TCIE, Balanagar,
 Hyderabad - 500 037.
 Tel. : + 91 - 40 - 4007 3424

KOLKATA
 41/30 Dum Dum Road, Ghosto Bihari Colony, Nr. Lord,s Goli,
 Beside ST. Mary's School. KOLKATA - 700074
 Tel. : + 91 - 90819 03883