

AIIS-5410P

Fanless Vision System with Intel® Core™ i Processor, 4-Channel GigE PoE Camera Interface, and PCIe Slot



Features

- Intel® 6th Generation Core™ i7 BGA1440 processor
- Four-channel Gigabit Power over Ethernet (GbE PoE)
- Powered device auto detection and classification
- Compliant with IEEE 1588 and IEEE 802.3af standards
- Compatible with Gigabit Ethernet (GigE) cameras
- Wide input power range (9 ~ 36 V DC)
- Wide operating temperature range (-20 ~ 60 °C)
- Isolated digital I/O
- Internal USB dongle space with lock design
- Desk/wall mounting kit

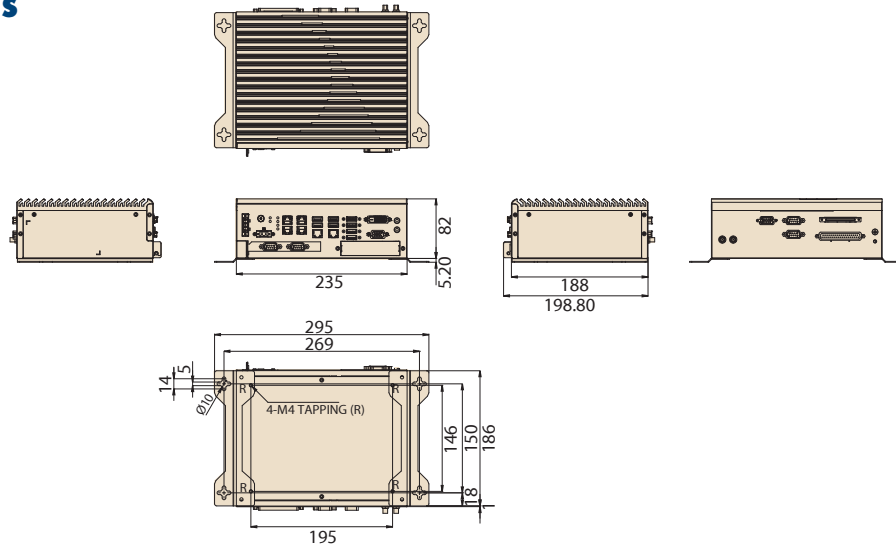


Specifications

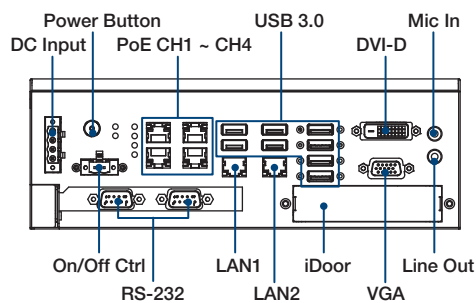
Processor System	CPU	i7-6822EQ	
	Core	4	
	Base Frequency	2 GHz	
	L3 Cache	8 MB	
	Chipset	QM170	
Memory	BIOS	AMI 64 Mb SPI Flash	
	Technology	Dual-channel DDR4 at 1866/2133 MHz (non ECC)	
	Max. Capacity	Equipped with 4 GB, and can be expanded to a maximum of 32 GB	
Graphics	Socket	2 x 260-pin DDR4 SODIMM sockets (4 GB minimum and 16 GB maximum per socket)	
	Chipset	Integrated Intel® HD Graphics	
PoE	Controller	Intel® I210 Ethernet controller	
	Compliant	IEEE 802.3af	
	Power Output	15.4 W per channel	
Storage	Internal 2.5" HDD Bay	2 (1 with a maximum height of 9.5 mm and 1 with a maximum height of 15 mm)	
	CFast	1	
	mSATA	1 (via mini PCIe socket)	
Expansions	PCIe x8	1, full height: 111.15 mm, length: max. 167.65 mm	
	mini PCIe	1	
Ethernet	Interface	10/100/1000 Mbps	
	Controller	2 x Intel® I210 Ethernet controller	
Front I/O	Display	VGA and DVI-D	
	USB	8 x USB 3.0	
	Audio	1 x line-out, 1 x mic-in	
Rear I/O	Serial	2 x RS-232/422/485 via BIOS setup; RS-485 with auto-flow control	
	GPIO	8 bits GPIO	
	Isolated DI/O (Optional)		AIIS-DIO32-00A1E (16 x DI/16 x DO)
			High-voltage isolation, up to 2,500 V _{DC} on all channels
			Dry/wet contact support Supports 5 ~ 60 V DC isolated input channels High-sink current for isolated output channels (100mA max. per channel) Interrupt handling and timer/counter capabilities
Watchdog Timer	Output	System reset	
	Intervals	Programmable 1 ~ 255 sec/min	
Power Requirement	Power Type	ATX/AT	
	Input Voltage	9 ~ 36 V _{DC}	
	Power Adapter	150W (optional)	
Miscellaneous	LED Indicators	Power, HDD, Temperature	
	Controls	Power On/Off switch	
Environment	Temperature	Operating	Non-operating
		HDD: 0 ~ 40 °C with 0.7 m/s air flow SSD: -20 ~ 60 °C with 0.7 m/s air flow	-40 ~ 70 °C
	Humidity	10 ~ 95% @ 40 °C, non-condensing	10 ~ 95% @ 60 °C, non-condensing
	Vibration	HDD: 1G, random, 5 ~ 500 Hz, 3 axes, 1 hr/axis SSD: 3G, random, 5 ~ 500 Hz, 3 axes, 1 hr/axis	2G, sine wave, 5 ~ 500 Hz, 3 axes, 1 hr/axis
		Shock	HDD: 10G, half sine wave, 11 ms duration SSD: 50G, half sine wave, 11 ms duration
Physical Characteristics	Dimensions (W x H x D)	235 x 82 x 188 mm (9.25" x 3.22" x 7.4")	
	Weight	2.9 kg (6.39 lbs)	

Dimensions

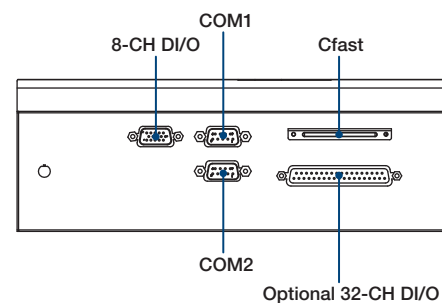
Unit: mm



Front View



Rear View



Ordering Information

Part Number	CPU	PoE Port	Display	USB 3.0	GPIO	COM 232/422/485	COM 232	Expansion Slot
AIIS-5410P-U0A1E	i7-6822EQ	4-channel	VGA+DVI	8	8-channel	2	2	1 PCIe8; 1 PCI*
AIIS-5410P-S9A1E	i5-6442EQ	4-channel	VGA+DVI	8	8-channel	2	2	1 PCIe8; 1 PCI*

Note : System default expansion slot is PCIe8. PCI needs to change the riser card and it is in accessory box.

Packing List

Items	Part Number	Quantity
Bare system	AIIS-5410P	1
Start-up manual (EN/CN/TC)	2001541000	1
Driver CD	2061750000	1
Wall mount bracket	1960070543T002	2
4-pin Phoenix DC power connector	1652003234	1
2-pin Phoenix DC power connector	1652005203	1
SATA cable	1700018971	2
SATA power cable	1700024372-01	2
PCI riser card	9691541010E	1

Optional Accessories

Part Number	Description
96PSA-A150W19P4-1	Adaptor AD 100 ~ 240 V 150 W 19 V
1702002600	Power cord 3-pin UL/CSA (USA) 125 V 10A 1.83 M 180D
1700022940-01	Power cord PSE 7A 125 V 3P 3 m DAC-ST01
1702002605	Power cord 2P (France) 10A/16A 220 V 1.83 M 90D
AIIS-DIO32-00A1E	Isolated D I/O module, 32-channel, 9-pin USB interface
PCL-10137-1E	32-channel D I/O cable (1 M) for wiring terminal
ADAM-3937-BE	32-channel DI/O DB-37 wiring terminal, DIN-rail mount
1700023217-01	8-CH DIO Cable for Wiring Board
ADAM-3925-AE	8-CH DIO DB-25 Wiring Terminal, DIN-rail Mount

Note:

- MIC-7500 supports the i-door module (both MOS and PCM series). Visit the Advantech website for more information.
- The PCM series module requires a bracket (P/N: 1960065854N001) that must be ordered separately.

Embedded OS

Part Number	Description
2070014222	img WES7P AIIS-5410P x64 V5.6.6 10MU1