

FPM-115W FPM-121W

15.6" / 21.5" Full HD Semi-Industrial Monitors with P-CAP Touch Control



Features

- 15.6"/21.5" Full HD TFT LED LCD Display
- Built in 10-point PCAP multi-touch panel with USB interface
- Slim bezel & compact Design
- Wide operating temperature from 0 to 50° C
- Support VESA arm mounting (100 x 100mm)

Introduction

In IIoT and Industry 4.0 era, more and more customers need data to be visualized to benefit process management and decision making. The FPM-100W series is a semi-industrial-grade monitor which provides vivid images and intuitive multi-touch functionalities. Along with its slim and compact design, FPM-100W series is suitable to be placed everywhere that both information display and human interactions are required to increase the production efficiency.

Specifications

General

- **Certification** BSMI, CCC, CE, FCC Class A, UL
- **Dimensions (W x H x D)** FPM-115W: 382 x 241.3 x 43.8 mm
FPM-121W: 518.8 x 310.2 x 49.5 mm
- **Enclosure** Front: ABS
Rear Cover: SGCC
- **Mount Options** VESA arm (100 x 100mm)
- **Power Input** External 36 W power adapter, with AC 100 V ~ 240 V input and DC +12 V @ 3 A output (included)
- **Power Consumption** 15 W + 20%
- **Video Port** HDMI and DP
- **Weight (Net)** 1.5kg / 2.5kg

LCD Display

- **Display Type** Full HD / Full HD TFT LCD
- **Display Size** 15.6" / 21.5"
- **Max. Resolution** 1920 x 1080 / 1920 x 1080
- **Max. Color** 262K / 16.7M
- **Viewing Angle (H/V °)** 170/170, 178/178
- **Luminance (cd/m²)** 220 / 250
- **Backlight Life** 15,000 / 30,000 hr
- **Contrast Ratio** 800:1 / 1000:1

Touchscreen

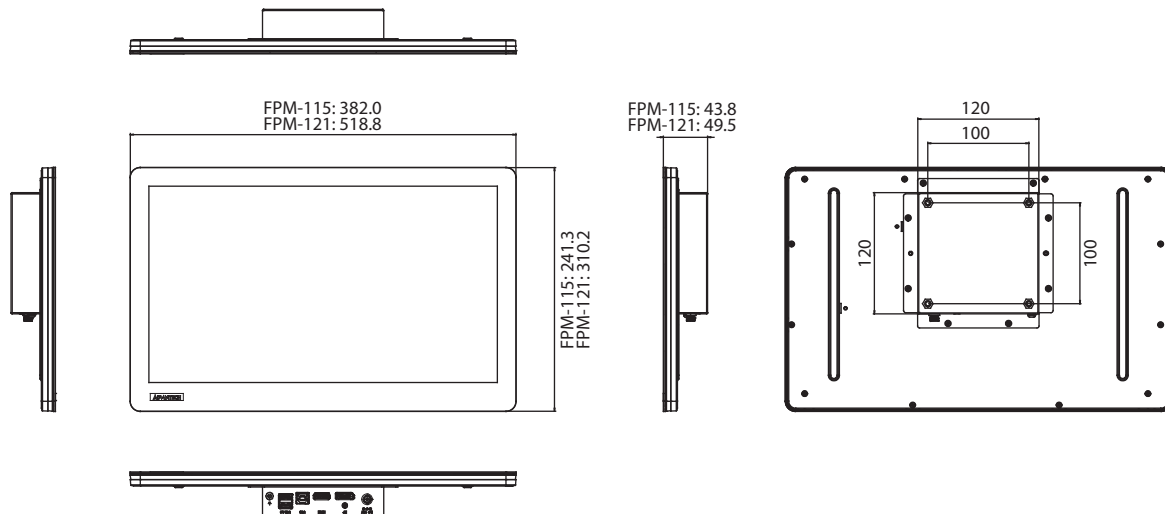
- **Type** Projected Capacitive Touch (P-CAP)
- **Interface** USB
- **Light Transmission** Above 85%
- **OS Support** Windows XP, Vista, 7, 8, 10, XPe and Linux

Environment

- **Operating Temperature** 0 ~ 50 °C (32 ~ 122 °F)
- **Storage Temperature** -10 ~ 60 °C (14 ~ 140 °F)
- **Humidity (Storage)** 10 ~ 90% non-condensing
- **Vibration** 5 ~ 500 Hz, 1 Grms (Operating, Random)

Dimensions

Unit: mm



Ordering Information

- **FPM-115W-P7AE** 15.6" Full HD Semi-Ind. Monitor with P-CAP TS
- **FPM-121W-P7AE** 21.5" Full HD Semi-Ind. Monitor with P-CAP TS

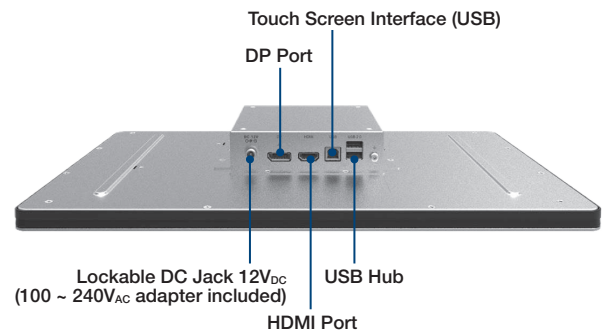
Optional Accessories

- **1700001524** Power Cable US Plug, 1.8m
- **170203183C** Power Cable EU Plug, 1.8m
- **170203180A** Power Cable UK Plug, 1.8m
- **1700008921** Power Cable JP Plug, 1.8m
- **1700019146** Power Cable China/Australia Plug, 1.8m

Front View



I/O View



Rear View

