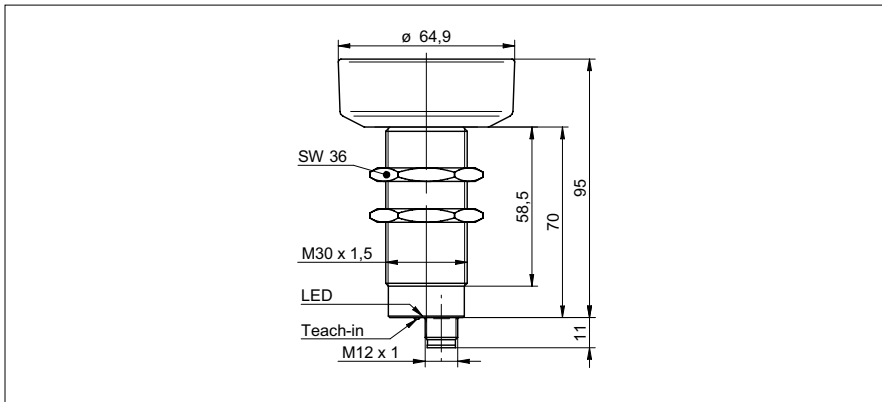


Ultrasonic distance measuring sensors

UNAM 70U6131/S14

dimension drawing



general data

| | |
|--------------------------------|--------------------------------|
| scanning range sd | 600 ... 6000 mm |
| scanning range close limit Sdc | 600 ... 6000 mm |
| scanning range far limit Sde | 600 ... 6000 mm |
| repeat accuracy | < 3 mm |
| resolution | < 2 mm |
| response time ton | < 640 ms |
| release time toff | < 640 ms |
| temperature drift | < 2 % of distance to target So |
| sonic frequency | 80 kHz |
| adjustment | Teach-in |
| alignment aid | target indication flashing |
| light indicator | yellow LED / red LED |

electrical data

| | |
|------------------------------------|-------------------------|
| voltage supply range +Vs | 15 ... 30 VDC |
| current consumption max. (no load) | 35 mA |
| output circuit | voltage output |
| output signal | 0 ... 10 V / 10 ... 0 V |
| output current | < 20 mA |
| residual ripple | < 10 % Vs |
| short circuit protection | yes |
| reverse polarity protection | yes |

mechanical data

| | |
|------------------|----------------------|
| type | cylindrical threaded |
| housing material | brass nickel plated |
| width / diameter | 30 mm |
| height / length | 95 mm |
| connection types | connector M12 |

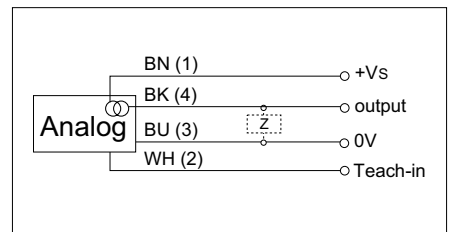
ambient conditions

| | |
|-----------------------|----------------|
| operating temperature | -25 ... +60 °C |
| protection class | IP 67 |

photo



connection diagram



- Analog voltage output 0 - 10 V
- long sensing distance